

Service Manual

74SR670/02B
SR670 U
Audio/Video Surround Receiver

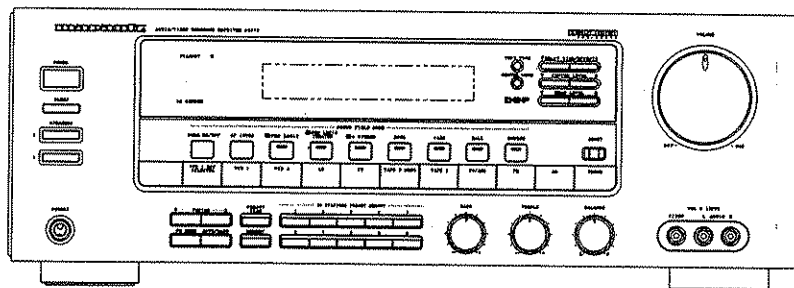


TABLE OF CONTENTS

SECTION	PAGE
1. TECHNICAL SPECIFICATIONS	1
2. BLOCK DIAGRAM	5
3. WIRING DIAGRAM	7
4. SCHEMATIC DIAGRAM AND PARTS LOCATION (Pattern Side)	9
5. SERVICE TEST PROGRAM	23
6. ALIGNMENT PROCEDURES	27
7. EXPLODED VIEW AND PARTS LIST	29
8. ELECTRICAL PARTS LIST	32

Please use this service manual with referring to the user guide (D.F.U) without fail.

marantz®

model SR670

MARANTZ DESIGN AND SERVICE

Using superior design and selected high grade components, **MARANTZ** company has created the ultimate in stereo sound. Only original **MARANTZ** parts can insure that your **MARANTZ** product will continue to perform to the specifications for which it is famous.

Parts for your **MARANTZ** equipment are generally available to our National Marantz Subsidiary or Agent.

ORDERING PARTS :

Parts can be ordered either by mail or by Fax.. In both cases, the correct part number has to be specified.

The following information must be supplied to eliminate delays in processing your order :

1. Complete address
2. Complete part numbers and quantities required
3. Description of parts
4. Model number for which part is required
5. Way of shipment
6. Signature : any order form or Fax. must be signed, otherwise such part order will be considered as null and void.

<p>USA MARANTZ AMERICA, INC. 440 MEDINAH ROAD ROSELLE, ILLINOIS 60172- 2330 USA PHONE : 630 - 307 - 3100 FAX : 630 - 307 - 2687</p>	<p>CANADA LENBROOK INDUSTRIES LIMITED 633 GRANITE COURT, PICKERING, ONTARIO L1W 3K1 CANADA PHONE : 416-831-6333 FAX : 416-831-6936</p>	<p>EUROPE MARANTZ EUROPE B.V. P.O.BOX 80002 BUILDING SFF2 5800 JB EINDHOVEN THE NETHERLANDS PHONE : +31 - 40 - 2732241 FAX : +31 - 40 - 2735578</p>
<p>PROFESSIONAL USA SUPERSCOPE TECHNOLOGIES, INC. MARANTZ PROFESSIONAL PRODUCTS 1000 CORPORATE BLVD., SUITE D AURORA, ILLINOIS 60504 USA PHONE : 630 - 820 - 4800 FAX : 630 - 820 - 8103</p>	<p>PROFESSIONAL CANADA TC ELECTRONICS CANADA LTD 540 FIRING AVE. BAIE D'URFÉ, QUEBEC H9X 3T2 CANADA PHONE : 514 - 457 - 4044 FAX : 514 - 457 - 5524</p>	<p>TRADING MARANTZ EUROPE B.V. P.O.BOX 80002 BUILDING SFF2 5800 JB EINDHOVEN THE NETHERLANDS PHONE : +31 - 40 - 2732241 FAX : +31 - 40 - 2735578</p>
<p>AUSTRALIA MARANTZ AUSTRALIA 3 Figtree Drive Australia Centre Homebush, NSW2140 AUSTRALIA PHONE : +61 2 742 8311 FAX : +61 2 764 3074</p>	<p>BRAZIL MARANTZ BRAZIL Caixa Postal 21462 CEP 04698-970 Sao Paulo, SP, BRAZIL PHONE : 0800 - 123123 (Discagem Direta Gratuita) FAX : +55 11 534. 8988</p>	<p>HONG KONG FORWARD INTERNATIONAL CORP.LTD. 15 TH FLOOR, REGENT CENTRE, 88 QUEEN'S ROAD, CENTRAL, H. K. PHONE : +852 521 - 0883 FAX : +852 521 - 7835</p>
<p>TAIWAN PAI-YUING CO., LTD. 6 TH FL NO, 148 SUNG KIANG ROAD, TAIPEI, 10429, TAIWAN R.O.C. PHONE : +886 (2) 5221304 - 8 FAX : +886 (2) 5630415</p>	<p>THAILAND MRZ STANDARD CO., LTD. 746 - 750 WANGBURAPA BANGKOK 10200 THAILAND PHONE : +66 2222 9181 FAX : +66 2225 8871</p>	<p>MALAYSIA WO KEE HONG ELECTRONICS SDN. BHD. NO. 102 JALAN SS 21/35, DAMANSARA UTAMA, 47400 PETALING JAYA SELANGOR DARUL EHSAN, MA LAYS IA PHONE : +60 3 - 7184886 FAX : +60 3 - 7173828</p>
<p>JAPAN Technical MARANTZ JAPAN INC. 35- 1, 7- chome, Sagamiono Sagamihara - shi, Kanagawa Japan PHONE : +81 427 44 7950 FAX : +81 427 48 0889</p>	<p>日本マランツ株式会社 本社 〒228 神奈川県相模原市相模大野 7 - 35 - 1 営業本部 〒150 東京都渋谷区恵比寿南 1 - 11 - 9</p>	<p>SINGAPORE FORWARD MARKETING (SINGAPORE) PTE. LTD. 29, LENG KEE ROAD SINGAPORE 159099, PHONE : +65 475 - 4555 FAX : +65 475 - 8623</p>

SHOCK, FIRE HAZARD SERVICE TEST :

CAUTION : After servicing this appliance and prior to returning to customer, measure the resistance between either primary AC cord connector pins (with unit NOT connected to AC mains and its Power switch ON), and the face or Front Panel of product and controls and chassis bottom.

Any resistance measurement less than 1 Megohms should cause unit to be repaired or corrected before AC power is applied, and verified before it is return to the user/customer.

Ref. UL Standard NO. 1492.

In case of difficulties, do not hesitate to contact the Technical Department at above mentioned address.

1. TECHNICAL SPECIFICATIONS

74SR670/02B

FRONT AMP SECTION

(Condition: Dolby prologic off)

Description	Unit	Nominal	Limit
· RMS Output Power: Both channels driven at 40 - 20 kHz, 0.2% THD, 8 Ω load	W	103	≥ 100
· Inter-modulation Distortion(60 Hz : 7 kHz = 4 : 1 SMPTE) at 100 W output, 8 Ω load	%	0.1	≤ 0.2
· Input Sensitivity for 100 W output, 8 Ω load CD/TAPE	mV	160	160 \pm 30
· Frequency Response at CD/TAPE, 1 W output, 8 Ω load +1~-3 dB	Hz	10~60 k	20~50 k
· Signal to Noise Ratio at volume max. IHF "A" weighted CD/TAPE	dB	92	≥ 90
· Tone Control	Bass at 100 Hz	± 10	± 2
	Treble at 10 kHz	± 10	± 2
· Channel Separation with input shorted at CD/TAPE	1 kHz	50	≥ 40
	10 kHz	45	≥ 35
· Crosstalk with input shorted at 1 kHz, CD \leftrightarrow AUX	1 kHz	66	≥ 63
	10 kHz	66	≥ 63
· Sub-Woofer Output Level at 100 W output, 8 Ω load, 500 mV input 100 Hz	V	1.3	1.3 \pm 0.5

REAR AMP SECTION

(Condition: VCR1 input, 220 mV input level at 1 kHz, rear level max. master vol. adj., 20 mS delay time)

Description	Unit	Nominal	Limit
· RMS Output Power at 20 W output, 1 kHz, 8 Ω load	%	0.5	≤ 0.7
· Frequency Response at 1 W output, ± 3 dB, 8 Ω load (PRO-LOGIC)	Hz	95~6 k	100~6 k
· Signal to Noise Ratio IHF "A" weighted (PRO-LOGIC)	dB	65	≥ 60

CENTER AMP SECTION

(Condition: VCR1 input, 230 mV input level at 1 kHz, center level with master vol. max. adj. WIDE mode)

Description	Unit	Nominal	Limit
· RMS Output Power at 65 W output, 1 kHz, 8 Ω load	%	0.2	≤ 0.3
· Frequency Response at 1 W output, ± 3 dB, 8 Ω load (PRO-LOGIC)	Hz	32~17 k	30~15 k
· Signal to Noise Ratio IHF "A" weighted (PRO-LOGIC)	dB	75	≥ 73

VIDEO SECTION

Description	Unit	Nominal	Limit
· Input Sensitivity at 75 Ω impedance VCR1/VCR2	dB	1 V _{P-P}	± 0.5
· Output Level at 75 Ω impedance	VCR1 REC OUT	1 V _{P-P}	± 0.5
	MONITOR OUT		
· Frequency Response	dB	-3	
· Crosstalk at 1.0 MHz	dB	50	≥ 45

FM SECTION

(Condition: 65 dBf antenna input, 1 kHz MOD., 40 kHz DEV.)

Description		Unit	Nominal	Limit
• Tuning Frequency Range	50 kHz step	MHz	87.5 - 108.0	
• Usable Sensitivity		dBf	13.2	≤ 16.2
at impedance 75 Ω, 26 dB S/N				
• 46 dB Quieting Sensitivity	MONO	dBf	17.2	≤ 21.2
at 98.0 MHz	STEREO	dBf	41.2	≤ 43.2
• Signal to Noise Ratio at 65 dBf	MONO	dB	70	≥ 68
at 1 mV input	STEREO	dB	65	≥ 60
• Total Harmonic Distortion	MONO	%	0.3	≤ 0.6
at 1 mV input, 1 kHz	STEREO	%	0.5	≤ 0.8
• Frequency Response at 40 Hz - 12 kHz	De-emphasis: 75u sec	dB	± 1.0	± 1.5
	De-emphasis: 50u sec	dB	± 1.0	± 1.5
• Image Response Ratio at 106 MHz		dB	80	≥ 70
• Spurious Response Ratio at 98.0 MHz		dB	70	≥ 60
• IF Rejection Ratio at 90.0 MHz		dB	70	≥ 64
• Alternate Channel Selectivity at 45 dBf				
	± 400 kHz	dB	60	≥ 50
• Stereo Separation	1 kHz	dB	32	≥ 28
at 65 dBf	10 kHz	dB	24	≥ 20
• Stereo on Level		dBf	31.2	± 6
• Auto Stop Level at 98.0 MHz		dBf	31.2	± 6
• Muting Threshold at 98.0 MHz		dBf	31.2	± 6
• Output Voltage		mV	400	± 100

AM SECTION

(Condition: 80 dB/m(10 mV/m) antenna input, 400 Hz, 30% MOD.)

Description		Unit	Nominal	Limit
• Tuning Frequency Range	9 kHz step	kHz	522 - 1611	
	10 kHz step	kHz	520 - 1710	
• Usable Sensitivity at 20 dB S/N		uV/m	600	≤ 1000
	603, 999, 1404 kHz			
• Signal to Noise Ratio at 999 kHz		dB	45	≥ 40
• Total Harmonic Distortion		%	1	≤ 2
• Selectivity at ± 9 kHz		dBf	25	≥ 20
• Frequency Response at 999 kHz	-6 dB	Hz	90 ~ 2.3 k	100 ~ 2 k
• Auto Stop Level		dB	84	± 6
• Output Level		mV	180	± 50

GENERAL

Power Consumption	800 W
Power Supplies	AC 115/230 V, 60/50 Hz
Dimensions (W × H × D)	440 × 153 × 380 mm
Weight (Net)	12.99 kg (28.63 lbs)

SR670U BL

FRONT AMP SECTION

(Condition: Dolby prologic off)

Description	Unit	Nominal	Limit
• RMS Output Power: Both channels driven at 40 - 20 kHz, 0.2% THD, 8 Ω load	W	103	≥ 100
• Inter-modulation Distortion(60 Hz : 7 kHz = 4 : 1 SMPTE) at 100 W output, 8 Ω load	%	0.1	≤ 0.2
• Input Sensitivity for 100 W output, 8 Ω load CD/TAPE	mV	160	160 ± 30
• Frequency Response at CD/TAPE, 1 W output, 8 Ω load +1~-3 dB	Hz	10~60 k	20~50 k
• Signal to Noise Ratio at volume max. IHF "A" weighted CD/TAPE	dB	92	≥ 90
• Tone Control Bass at 100 Hz	dB	± 10	± 2
Treble at 10 kHz	dB	± 10	± 2
• Channel Separation with input shorted at CD/TAPE	dB	50	≥ 40
1 kHz	dB	45	≥ 35
• Crosstalk with input shorted at 1 kHz, CD \rightleftharpoons AUX	dB	66	≥ 63
10 kHz	dB	66	≥ 63
• Sub-Woofer Output Level at 100 W output, 8 Ω load, 500 mV input 100 Hz	V	1.3	1.3 ± 0.5

REAR AMP SECTION

(Condition: VCR1 input, 220 mV input level at 1 kHz, rear level max. master vol. adj., 20 mS delay time)

Description	Unit	Nominal	Limit
• RMS Output Power at 20 W output, 1 kHz, 8 Ω load	%	0.5	≤ 0.7
• Frequency Response at 1 W output, ± 3 dB, 8 Ω load (PRO-LOGIC)	Hz	95~6 k	100~6 k
• Signal to Noise Ratio IHF "A" weighted (PRO-LOGIC)	dB	65	≥ 60

CENTER AMP SECTION

(Condition: VCR1 input, 230 mV input level at 1 kHz, center level with master vol. max. adj. WIDE mode)

Description	Unit	Nominal	Limit
• RMS Output Power at 65 W output, 1 kHz, 8 Ω load	%	0.2	≤ 0.3
• Frequency Response at 1 W output, ± 3 dB, 8 Ω load (PRO-LOGIC)	Hz	32~17 k	30~15 k
• Signal to Noise Ratio IHF "A" weighted (PRO-LOGIC)	dB	75	≥ 73

VIDEO SECTION

Description	Unit	Nominal	Limit
• Input Sensitivity at 75 Ω impedance VCR1/VCR2	dB	1 V _{P-P}	± 0.5
• Output Level at 75 Ω impedance VCR1 REC OUT MONITOR OUT	dB	1 V _{P-P}	± 0.5
• Frequency Response 5 Hz - 6 MHz	dB	-3	
• Crosstalk at 1.0 MHz	dB	50	≥ 45

FM SECTION

(Condition: 65 dBf antenna input, 1 kHz MOD., 75 kHz DEV.)

Limit	Description	Unit	Nominal	Limit
≥ 100	· Tuning Frequency Range	100 kHz step	MHz	87.5 - 107.9
≤ 0.2	· Usable Sensitivity		dBf	13.2
10±30	at impedance 75 Ω, 30 dB S/N			≤ 16.2
~ 50 k	· 50 dB Quieting Sensitivity	MONO	dBf	17.2
≥ 90	at 98.1 MHz	STEREO	dBf	41.2
±2	· Signal to Noise Ratio at 65 dBf	MONO	dB	70
±2	at 1 mV input	STEREO	dB	65
≥ 40	· Total Harmonic Distortion	MONO	%	0.3
≥ 35	at 1 mV input, 1 kHz	STEREO	%	0.5
≥ 63	· Frequency Response at 40 Hz - 12 kHz		dB	±1.0
≥ 63	De-emphasis: 75u sec			±1.5
3±0.5	· Image Response Ratio at 106.1 MHz		dB	40
	· Spurious Response Ratio at 98.1 MHz		dB	70
	· IF Rejection Ratio at 90.1 MHz		dB	70
	· Alternate Channel Selectivity at 45 dBf		dB	50
	± 400 kHz			≥ 45
	· Stereo Separation	1 kHz	dB	45
	at 65 dBf	10 kHz	dB	35
	· Stereo on Level		dBf	31.2
	· Auto Stop Level at 98.1 MHz		dBf	31.2
	· Muting Threshold at 98.1 MHz		dBf	31.2
	· Output Voltage		mV	500

AM SECTION

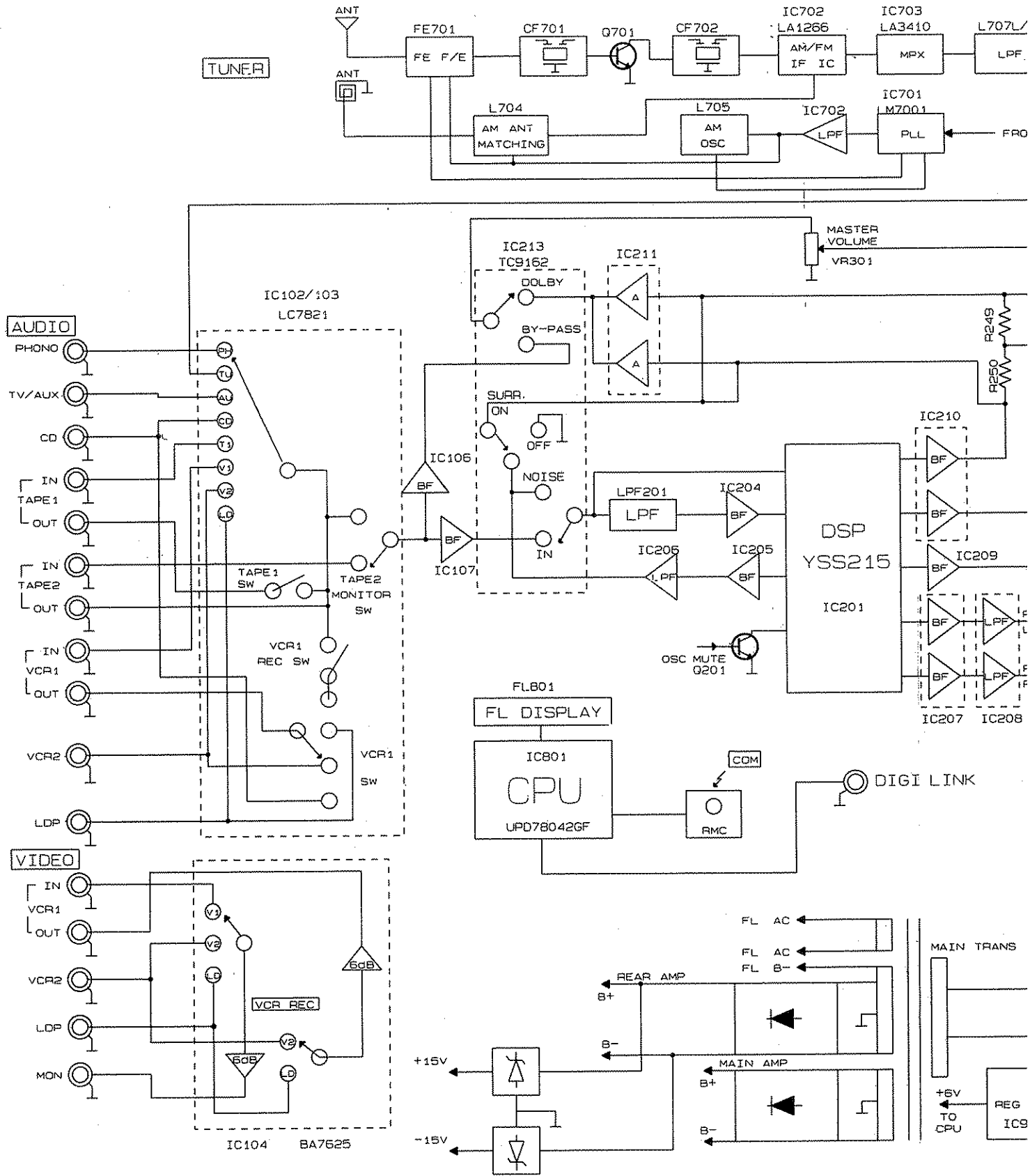
(Condition: 80 dB/m(10 mV/m) antenna input, 400 Hz, 30% MOD.)

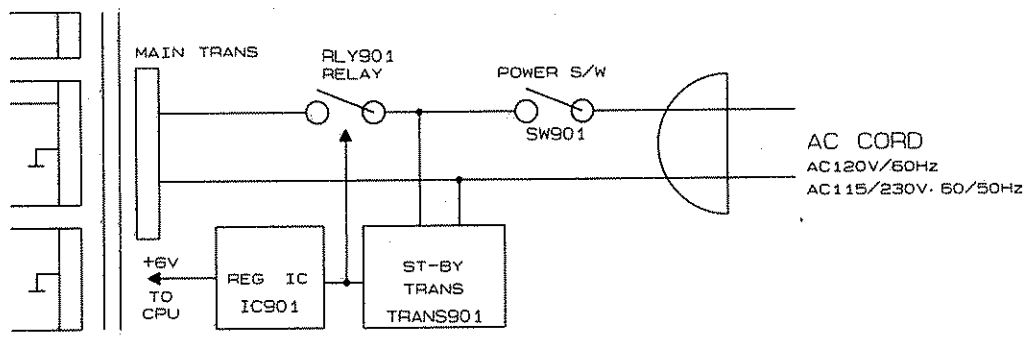
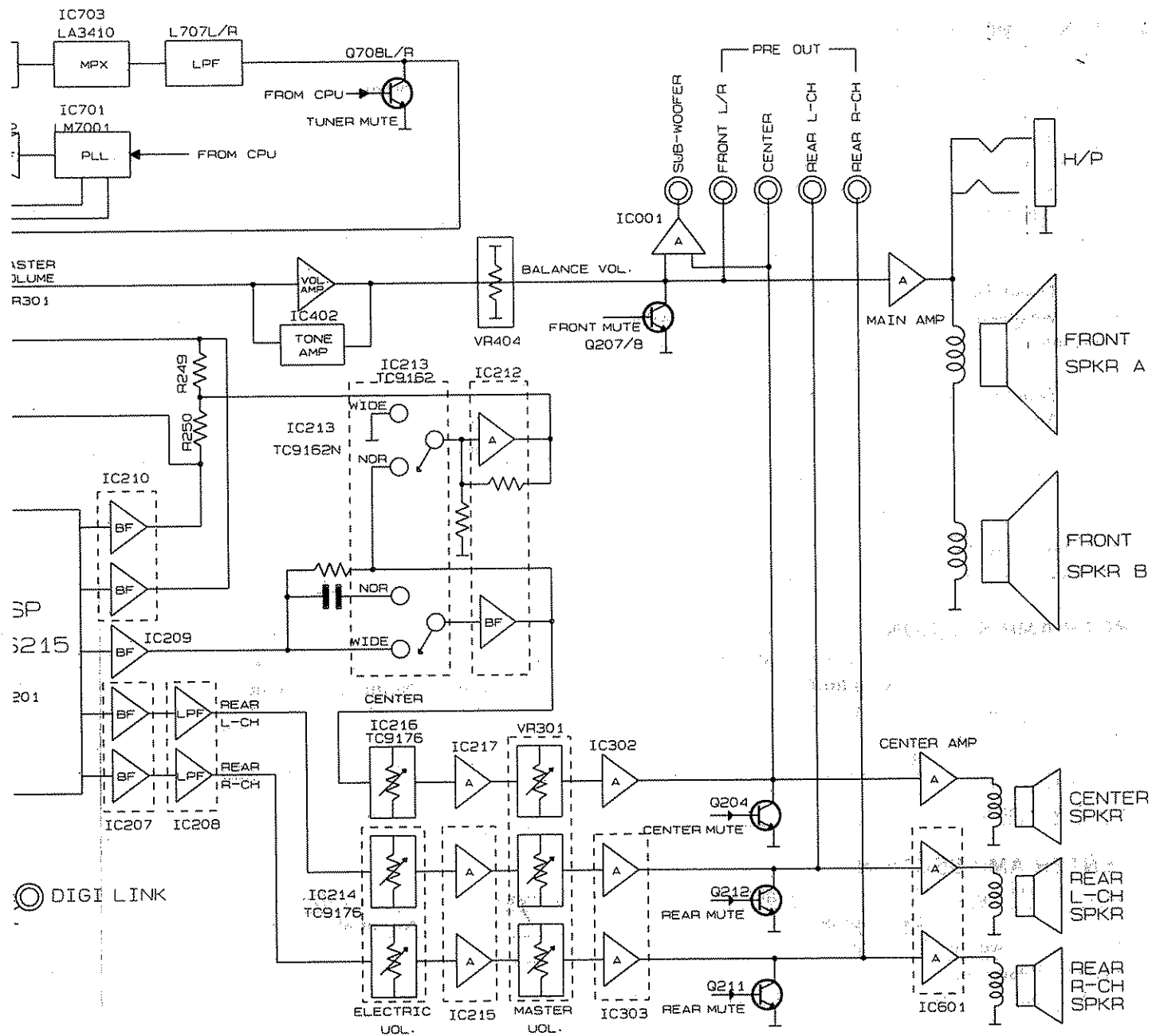
Limit	Description	Unit	Nominal	Limit
≤ 0.7	· Tuning Frequency Range			
10~6 k	10 kHz step	kHz		520 - 1710
≥ 60	· Usable Sensitivity at 20 dB S/N			
	600, 1000, 1400 kHz	uV/m	600	≤ 1000
	· Signal to Noise Ratio at 1000 kHz		dB	45
	· Total Harmonic Distortion		%	1
	· Selectivity at ±9 kHz		dBf	25
	· Frequency Response at 999 kHz	-6 dB	Hz	90~2.3 k
	· Auto Stop Level		dB	84
	· Output Level		mV	150

GENERAL

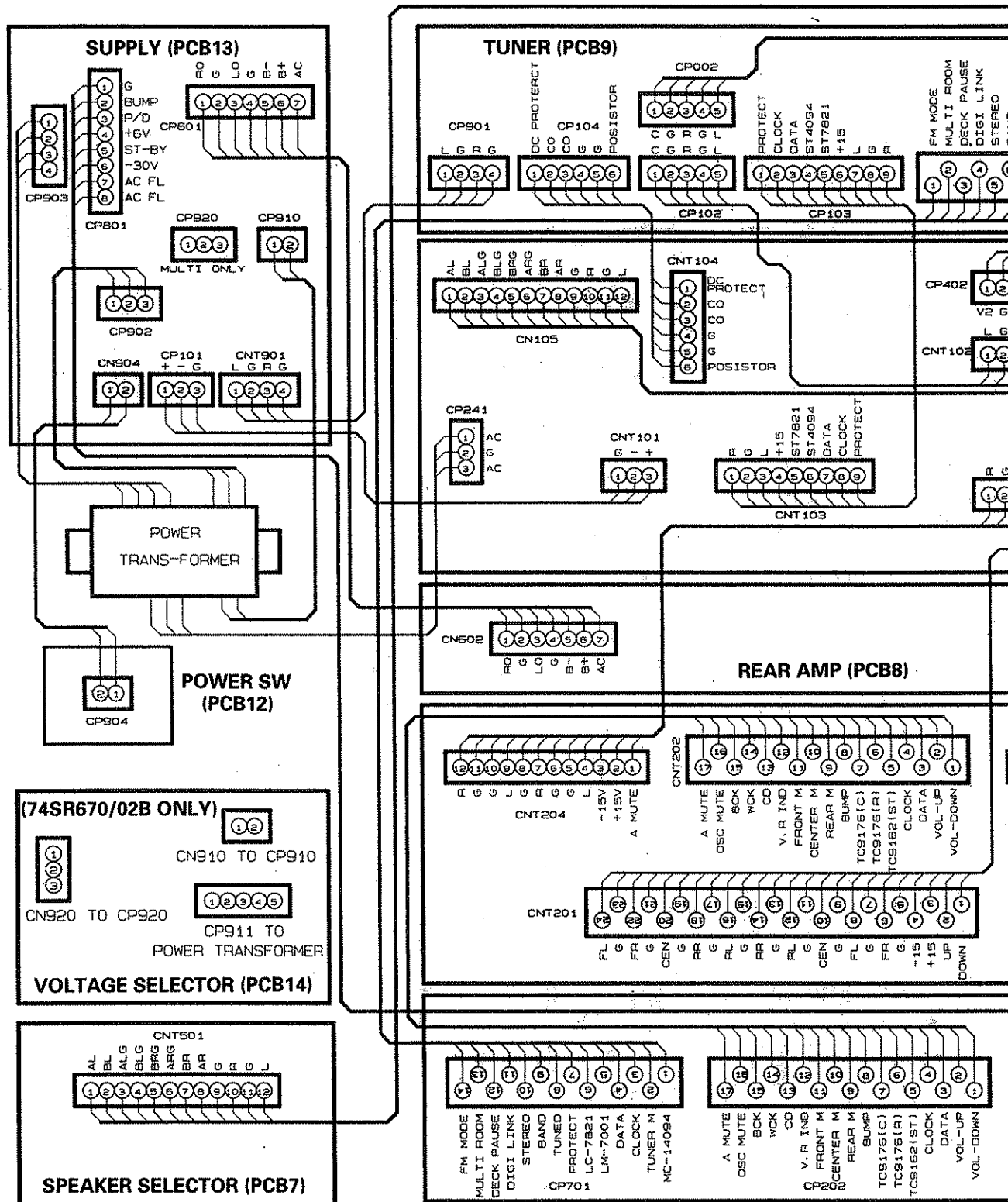
Power Consumption	-----	3 A
Power Supplies	-----	AC 120 V, 60 Hz
Dimensions (W×H×D)	-----	440×153×380 mm
Weight (Net)	-----	12.99 kg (28.63 lbs)

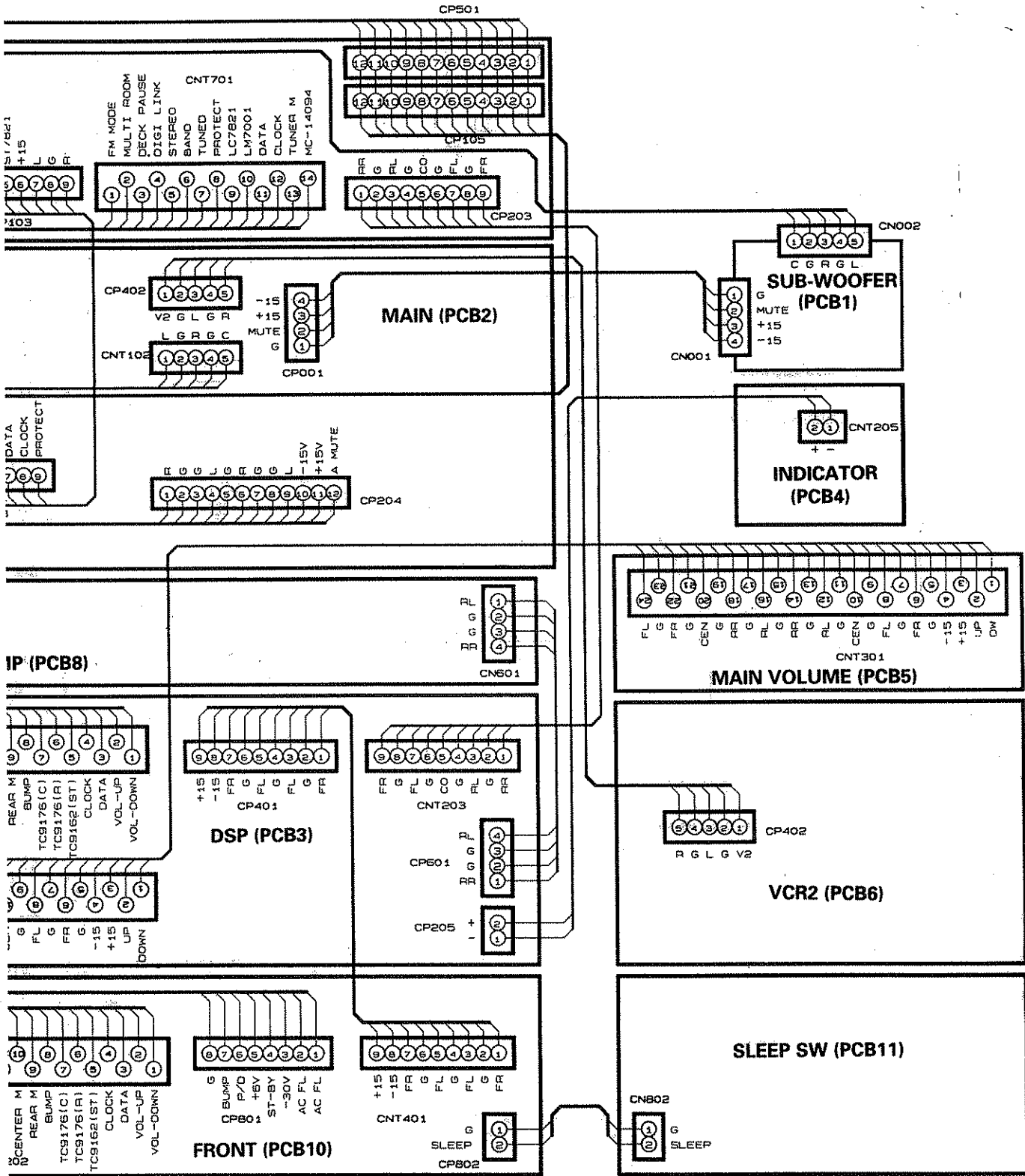
2. BLOCK DIAGRAM





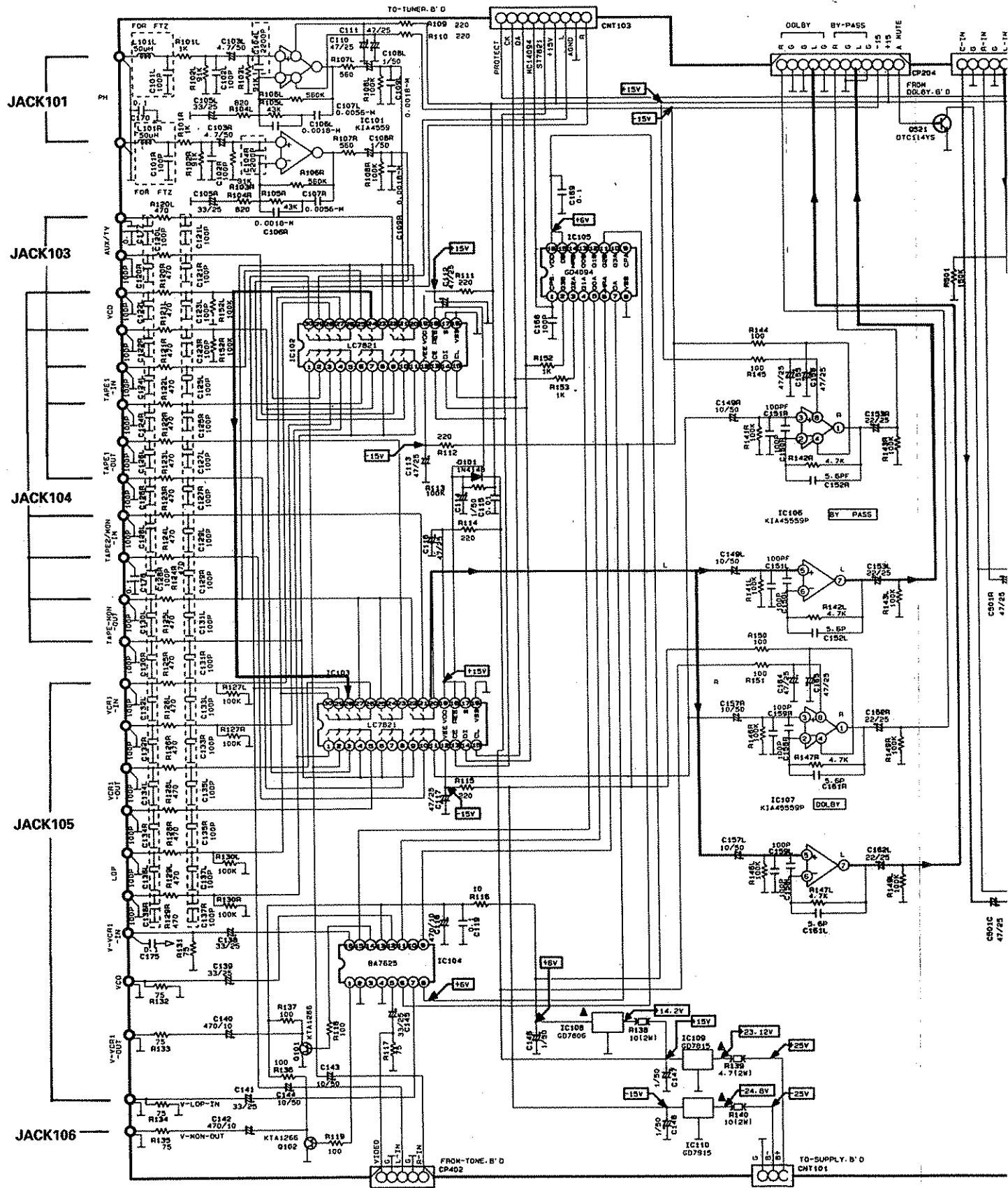
3. WIRING DIAGRAM

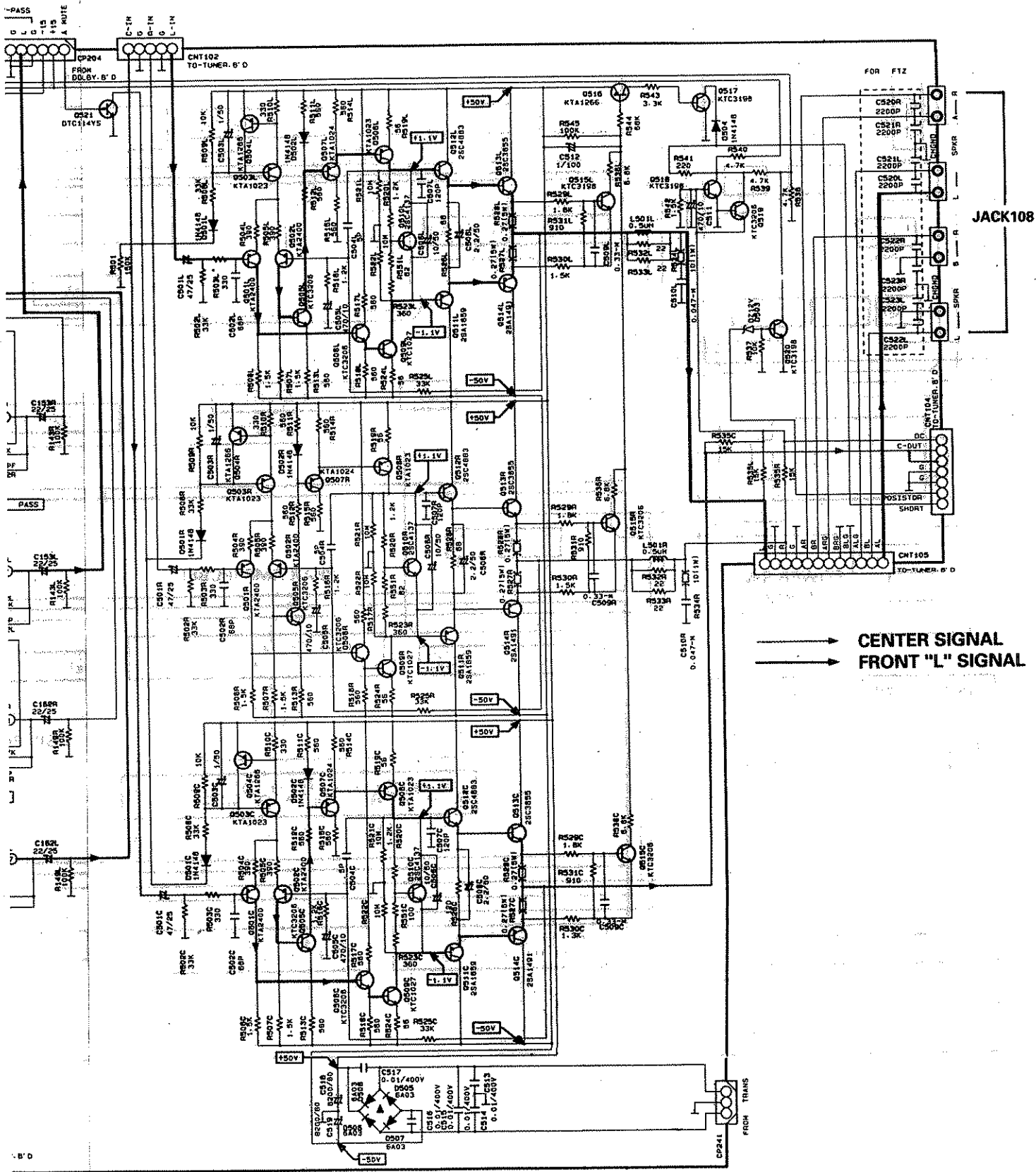




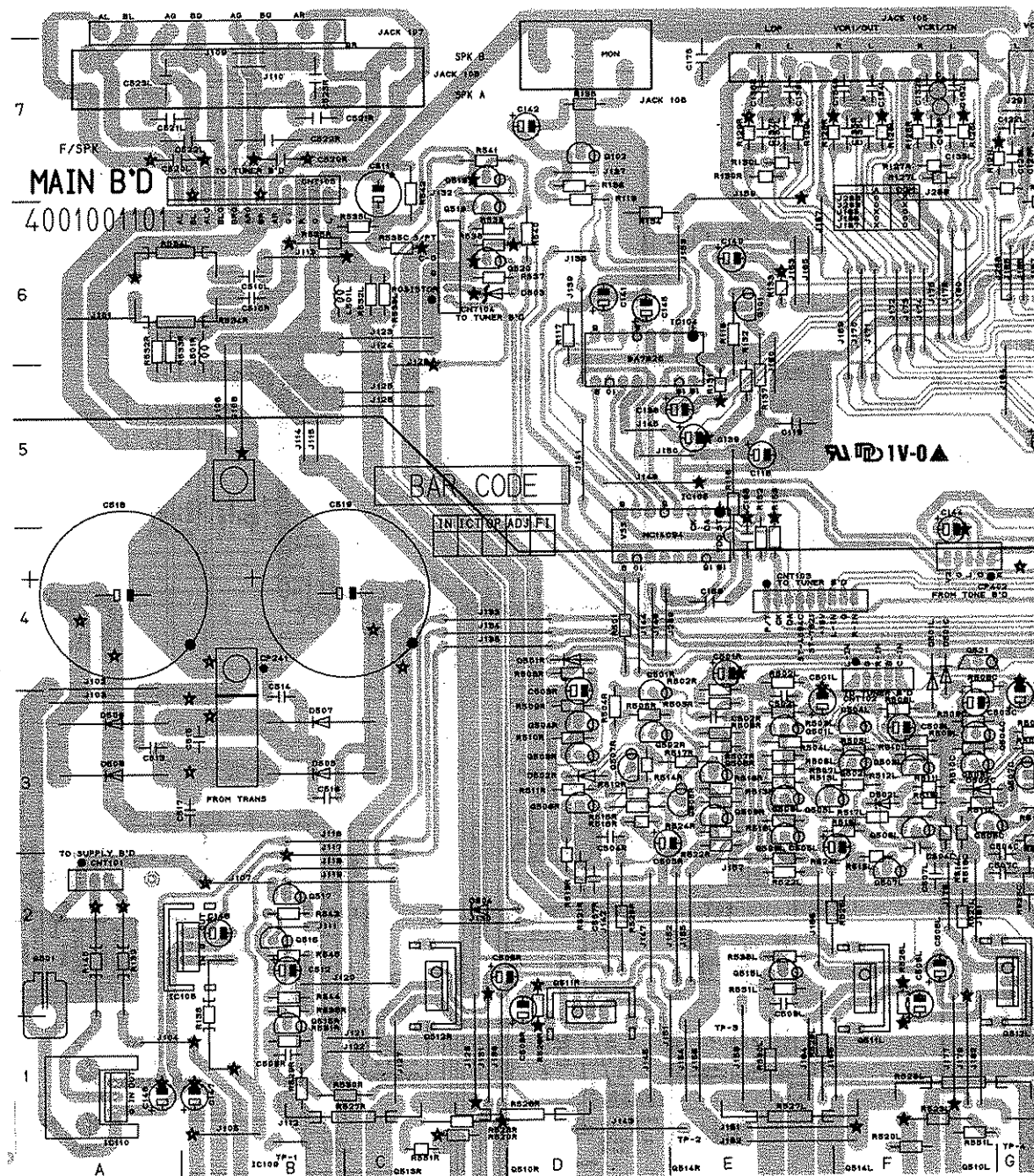
4. SCHEMATIC DIAGRAM AND PARTS LOCATION (Pattern Side)

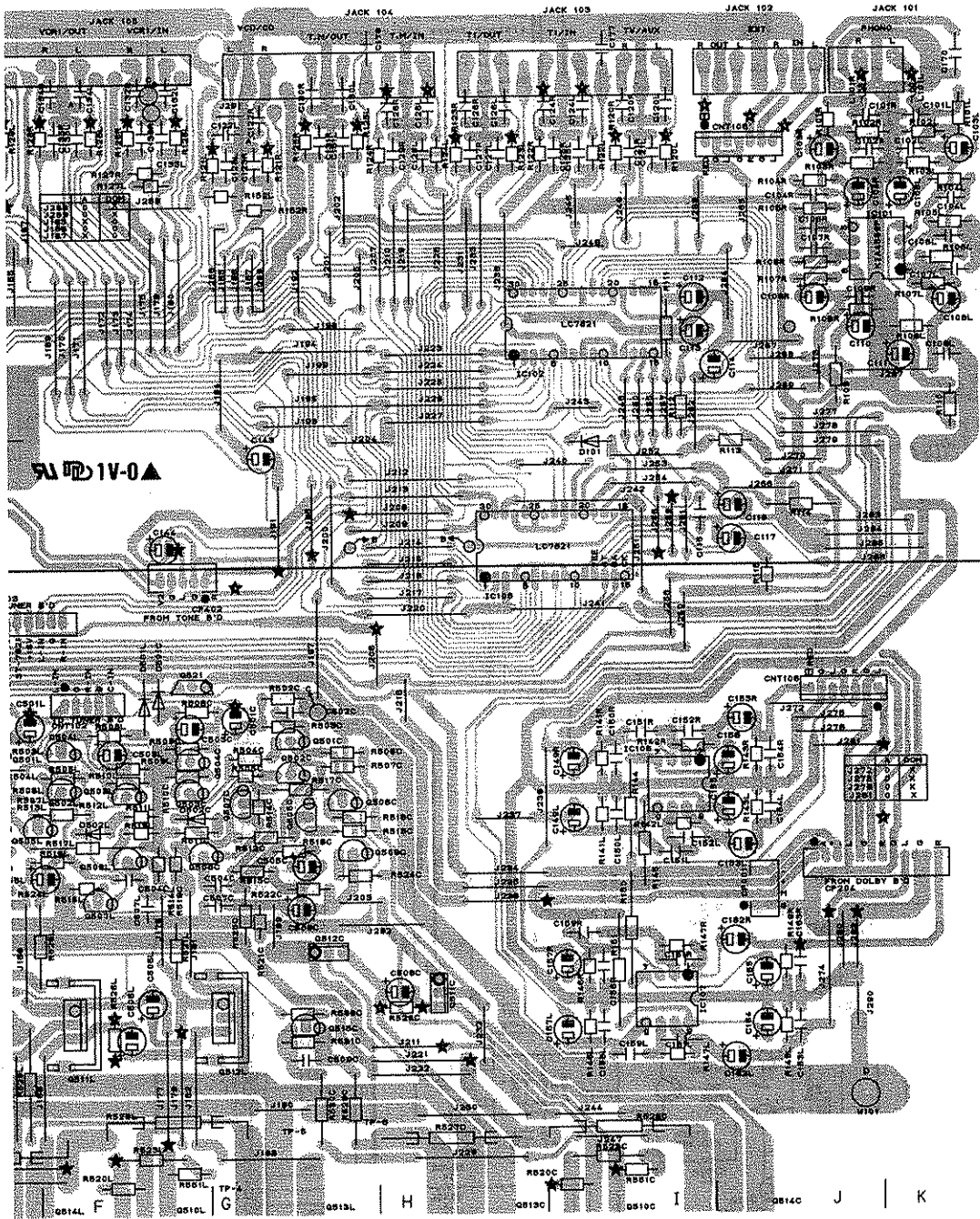
MAIN BOARD (PCB2)-CIRCUIT DIAGRAM





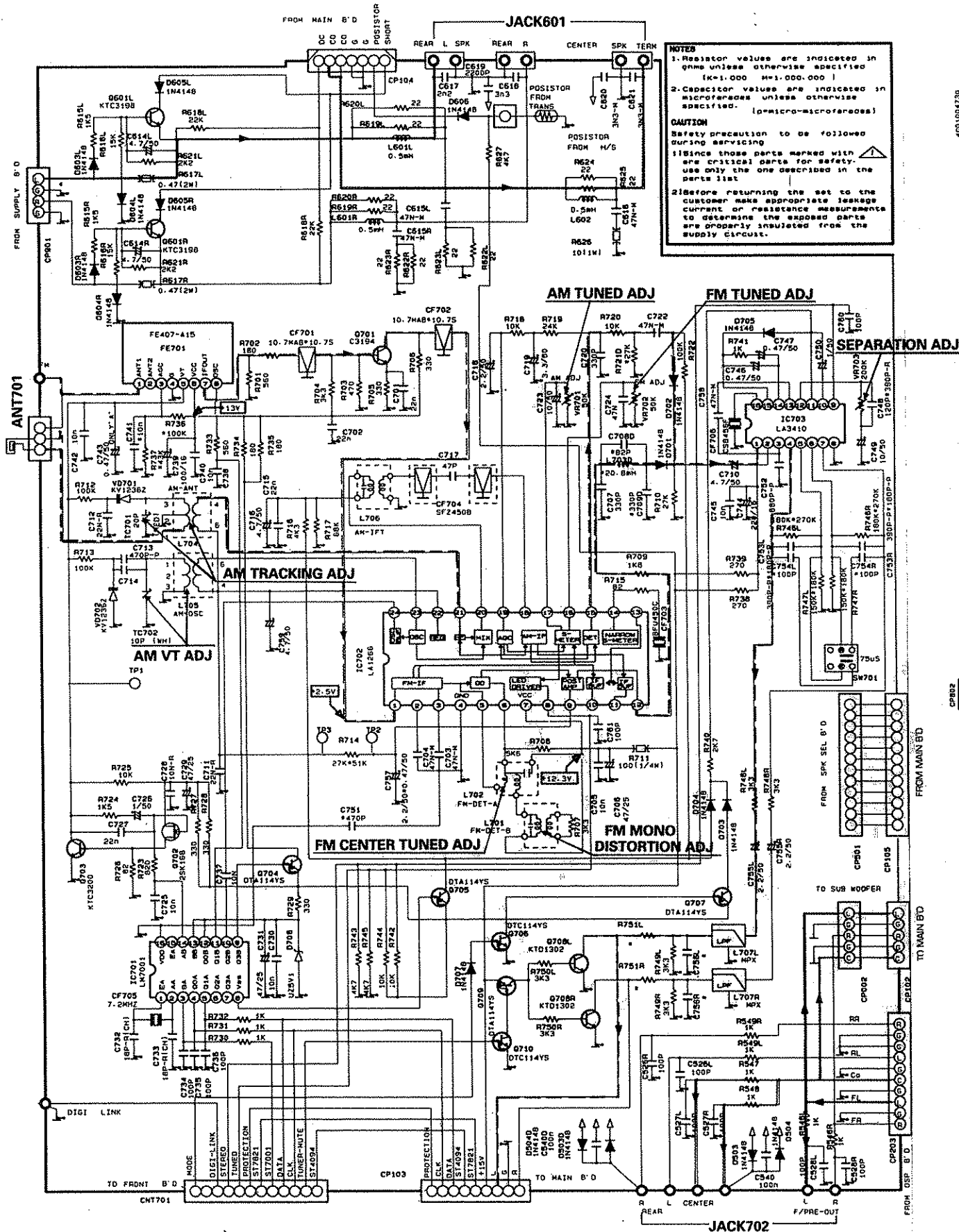
MAIN BOARD (PCB2)-LAYOUT DIAGRAM





TUNER BOARD (PCB9)-CIRCUIT DIAGRAM

FRON



NOTES

1. Resistor values are indicated in ohms unless otherwise specified (K=1,000 M=1,000,000)
2. Capacitor values are indicated in microfarads unless otherwise specified. (p=micro-microfarads)

CAUTION

Safety precaution to be followed during servicing

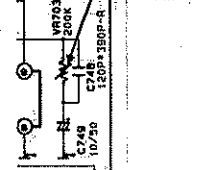
1. Since those parts marked with are critical parts for safety, use only the one described in the parts list

2. Before returning the set to the customer make appropriate leakage current or resistance measurements to determine the exposed parts are properly insulated from the supply circuit.

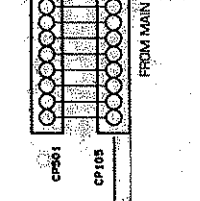
FRONT BOARD (PCB10)-CIRCUIT DIAGRAM

100000 in
specified
indicated in
otherwise
of original
followed
with
safety
in the
to the
measurements
parts
on the

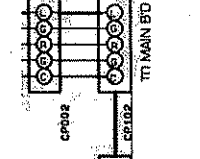
SEPARATION ADJ



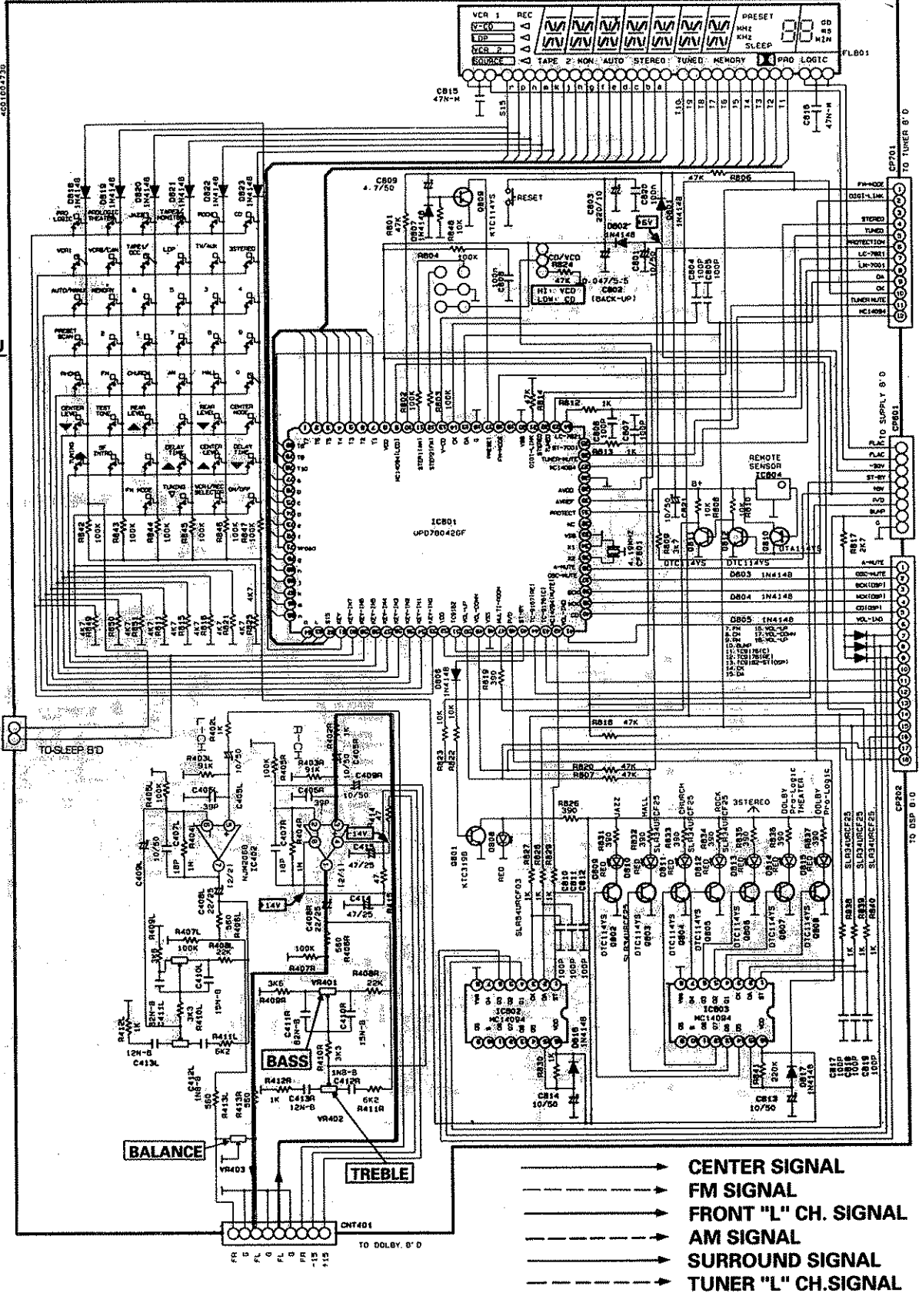
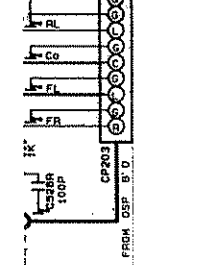
FROM MAIN B/D



SUB WOOFER

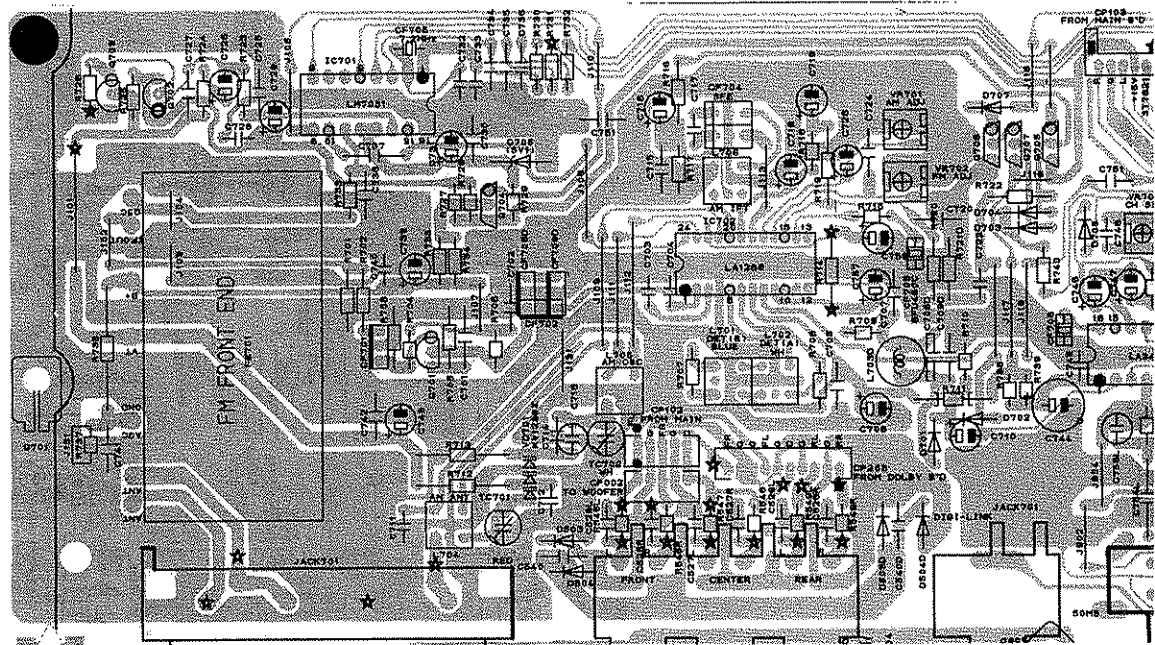


TO MAIN B/D

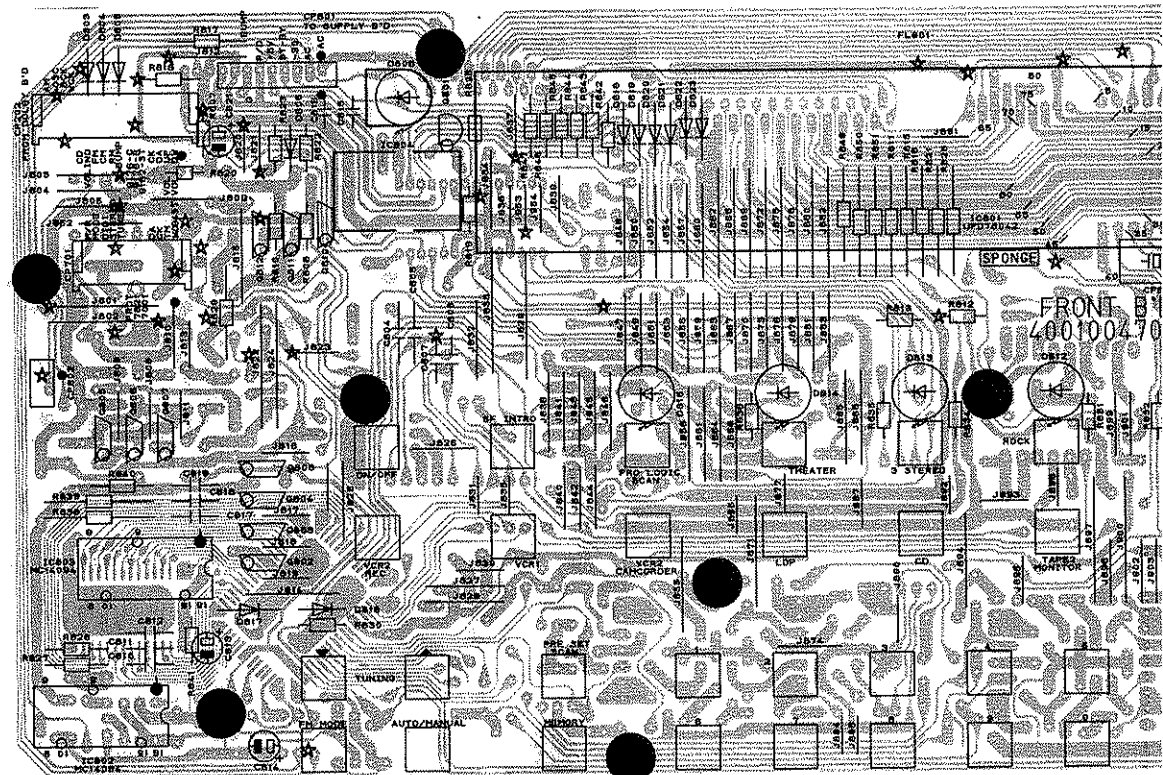


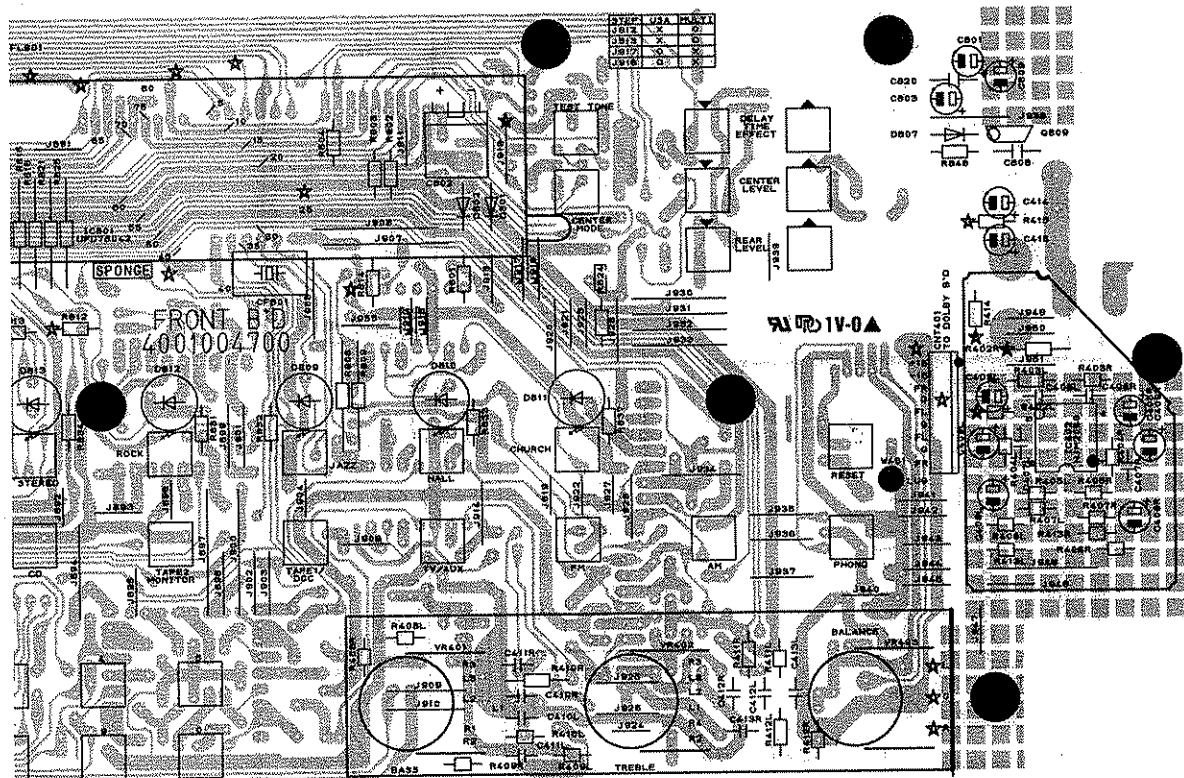
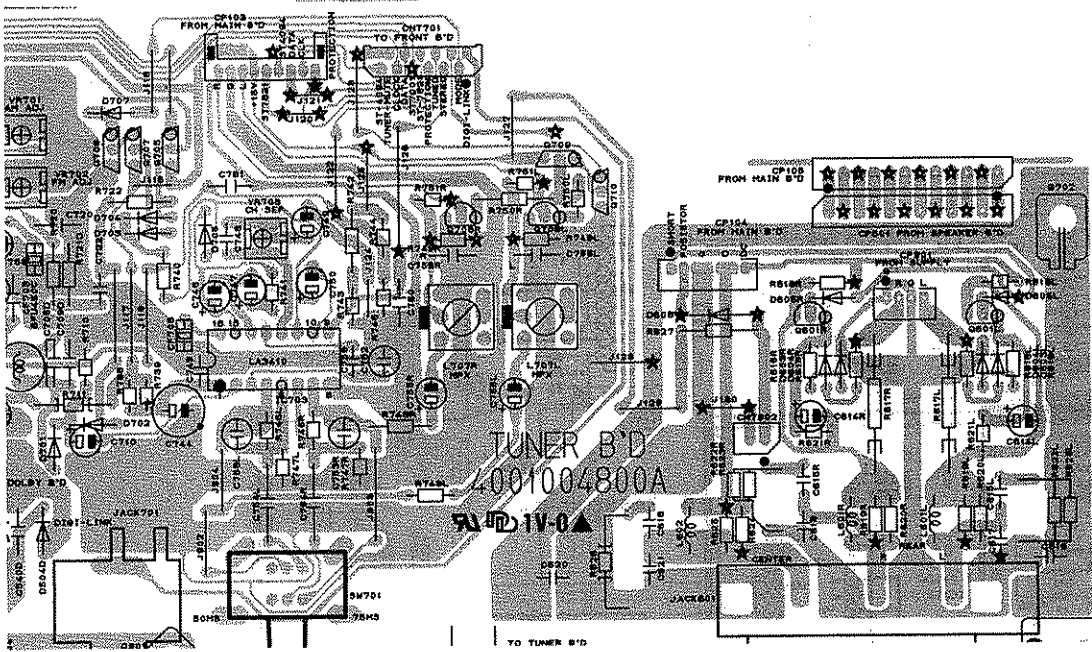
- CENTER SIGNAL
- FM SIGNAL
- FRONT "L" CH. SIGNAL
- AM SIGNAL
- SURROUND SIGNAL
- TUNER "L" CH. SIGNAL

TUNER BOARD (PCB9)-LAYOUT DIAGRAM



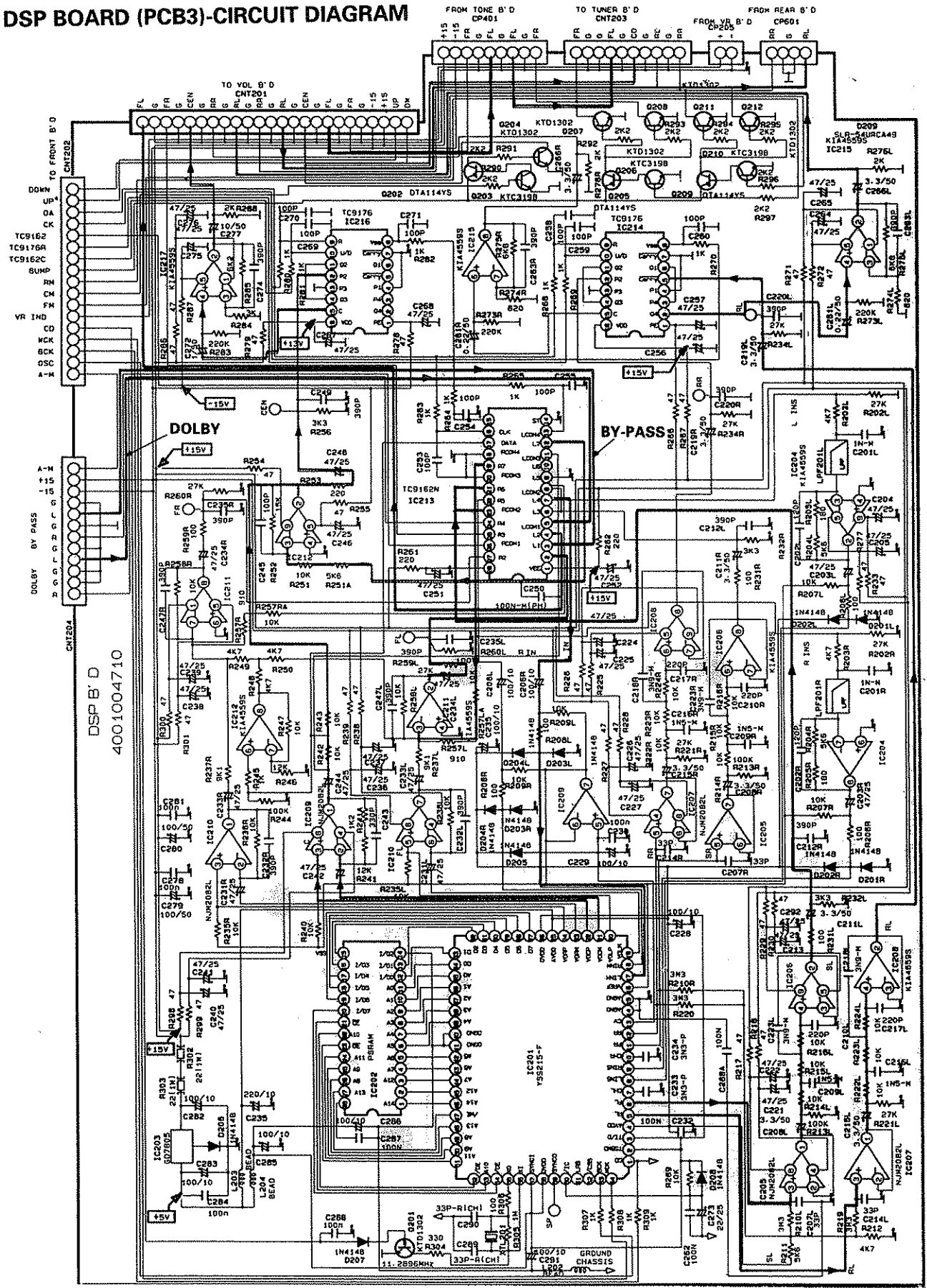
FRONT BOARD (PCB10)-LAYOUT DIAGRAM



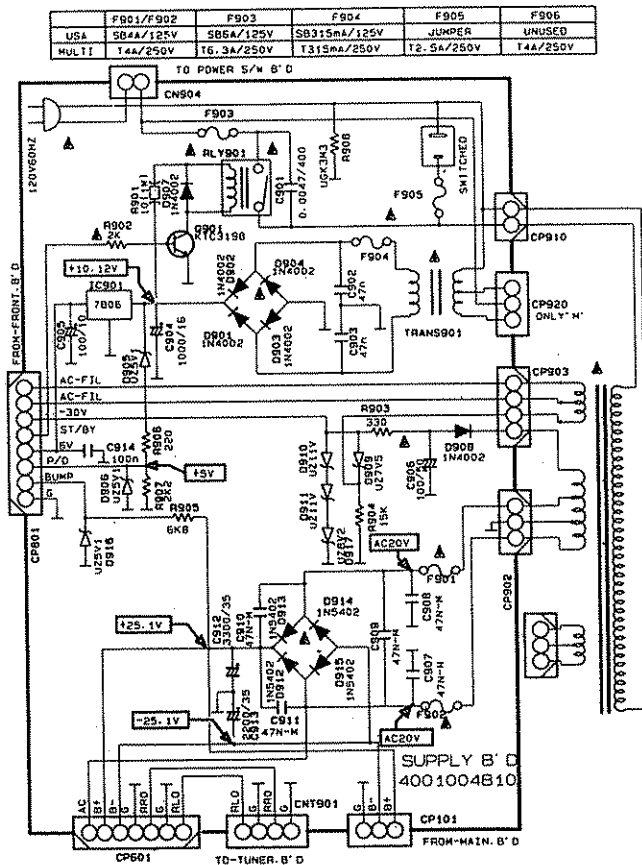


DSP BOARD (PCB3)-CIRCUIT DIAGRAM

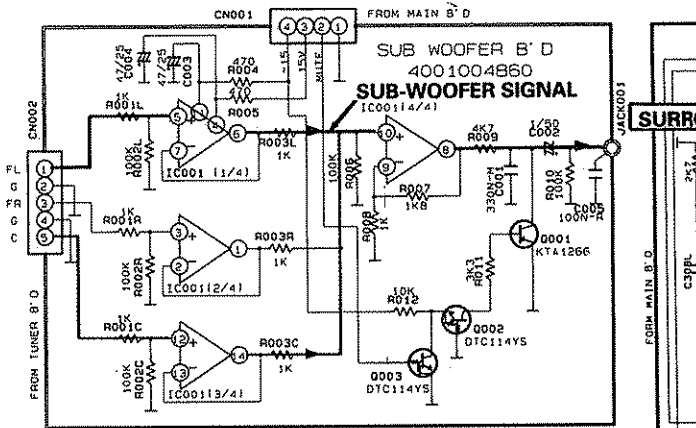
DSP



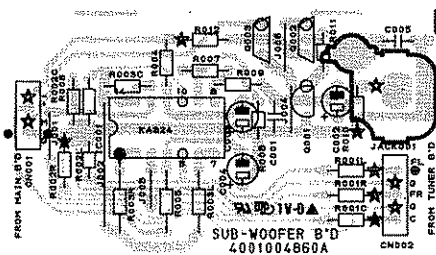
SUPPLY BOARD (PCB13)-CIRCUIT DIAGRAM



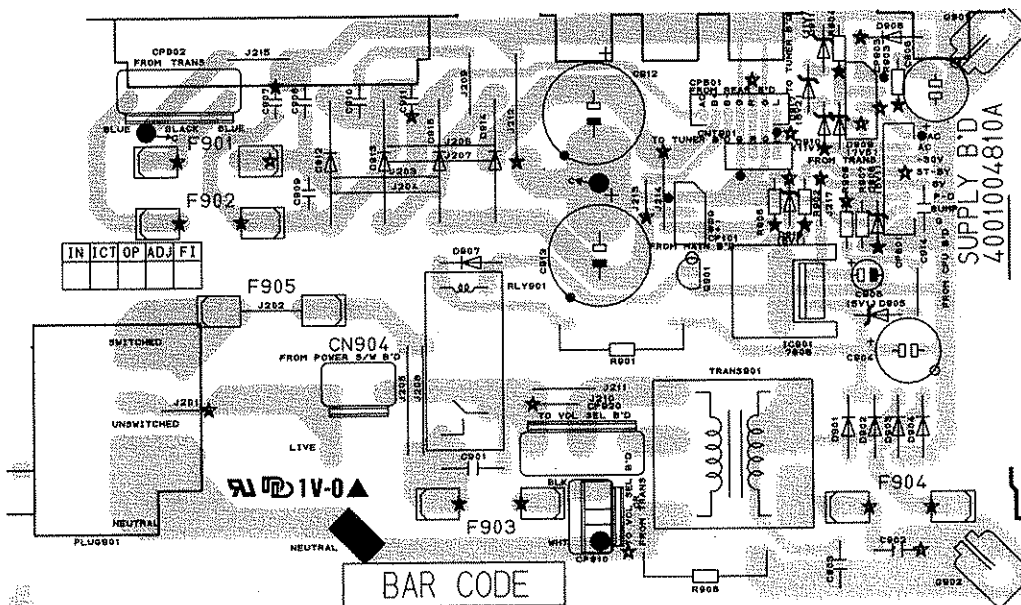
SUB-WOOFER BOARD (PCB1) -CIRCUIT DIAGRAM



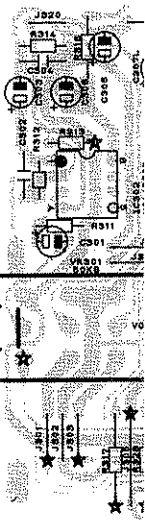
SUB-WOOFER BOARD (PCB1) -LAYOUT DIAGRAM



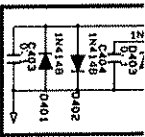
SUPPLY BOARD (PCB13)-LAYOUT DIAGRAM



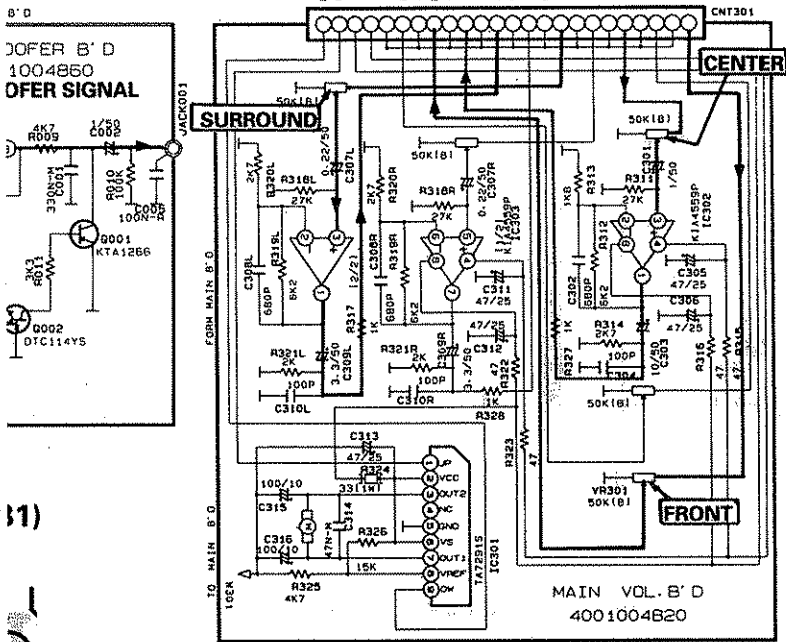
MAIN VO LAYOUT



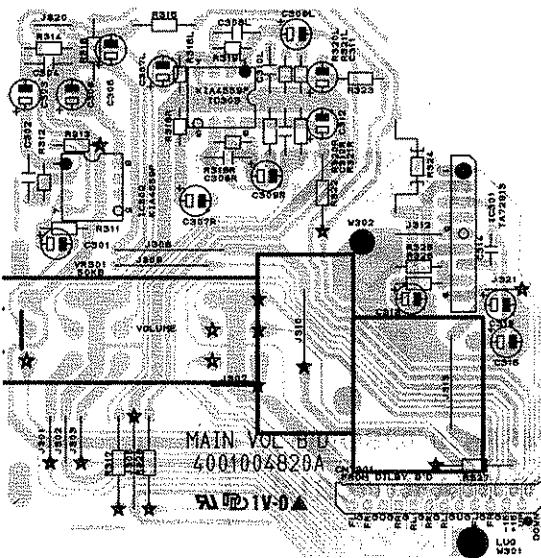
VCR2 BOARD



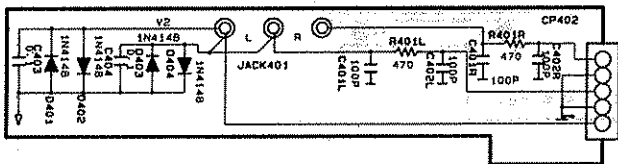
1) **MAIN VOLUME BOARD (PCB5)
-CIRCUIT DIAGRAM**



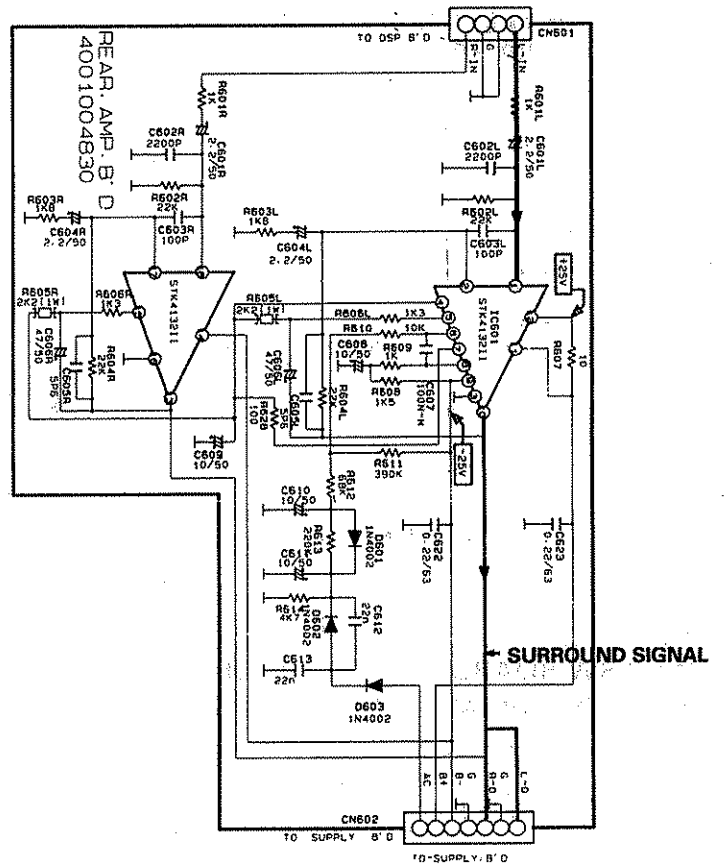
**MAIN VOLUME BOARD (PCB5)
-LAYOUT DIAGRAM**



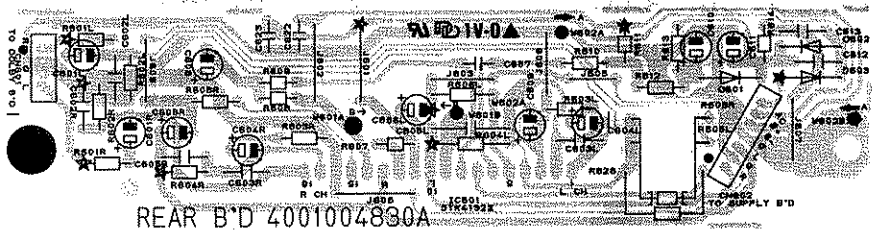
VCR2 BOARD (PCB6)-CIRCUIT DIAGRAM



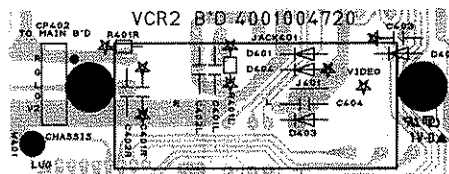
REAR AMP BOARD (PCB8)-CIRCUIT DIAGRAM



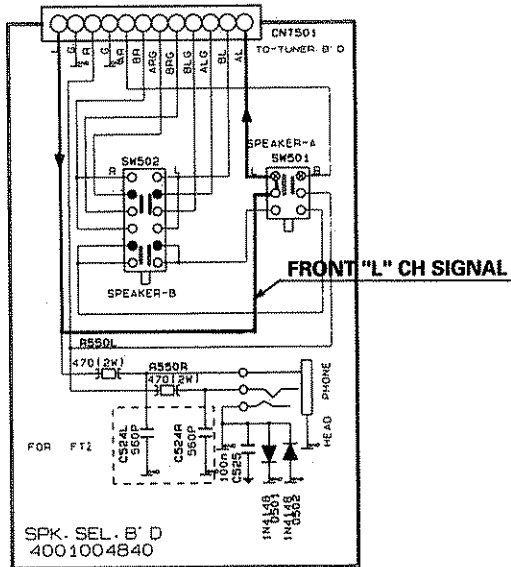
REAR AMP BOARD (PCB8)-LAYOUT DIAGRAM



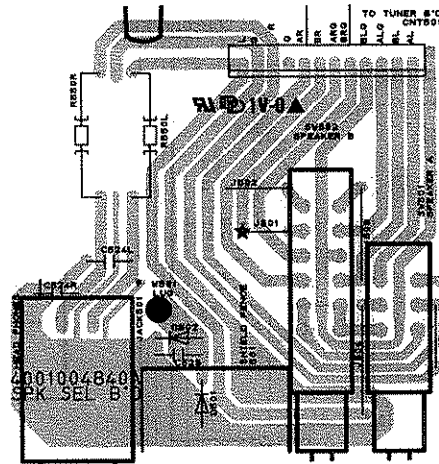
VCR2 BOARD (PCB6)-LAYOUT DIAGRAM



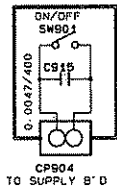
**SPEAKER SELECTOR BOARD (PCB7)
-CIRCUIT DIAGRAM**



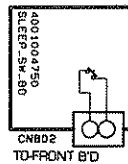
**SPEAKER SELECTOR BOARD (PCB7)
-LAYOUT DIAGRAM**



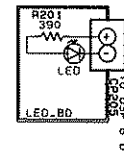
**POWER SW BOARD (PCB12)
-CIRCUIT DIAGRAM**



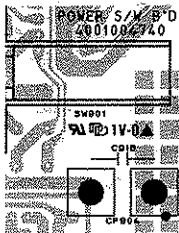
**SLEEP SW BOARD (PCB11)
-CIRCUIT DIAGRAM**



**INDICATOR BOARD (PCB4)
-CIRCUIT DIAGRAM**



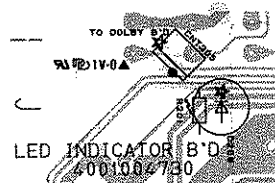
**POWER SW BOARD (PCB12)
-LAYOUT DIAGRAM**



**SLEEP SW BOARD (PCB11)
-LAYOUT DIAGRAM**

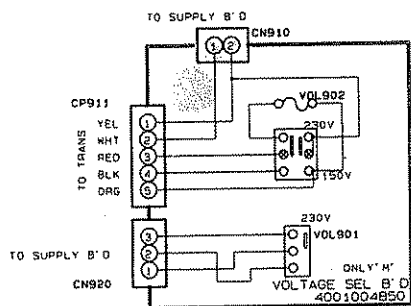


**INDICATOR BOARD (PCB4)
-LAYOUT DIAGRAM**

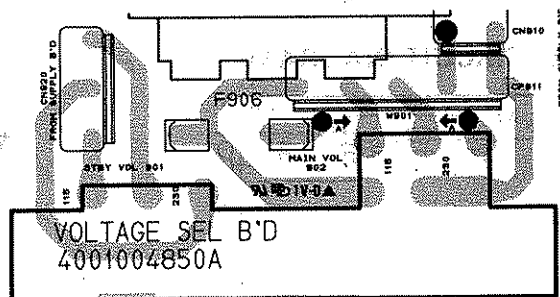


(74SR670/02B ONLY)

**VOLTAGE SELECTOR BOARD (PCB14)
-CIRCUIT DIAGRAM**



**VOLTAGE SELECTOR BOARD (PCB14)
-LAYOUT DIAGRAM**



CB4)

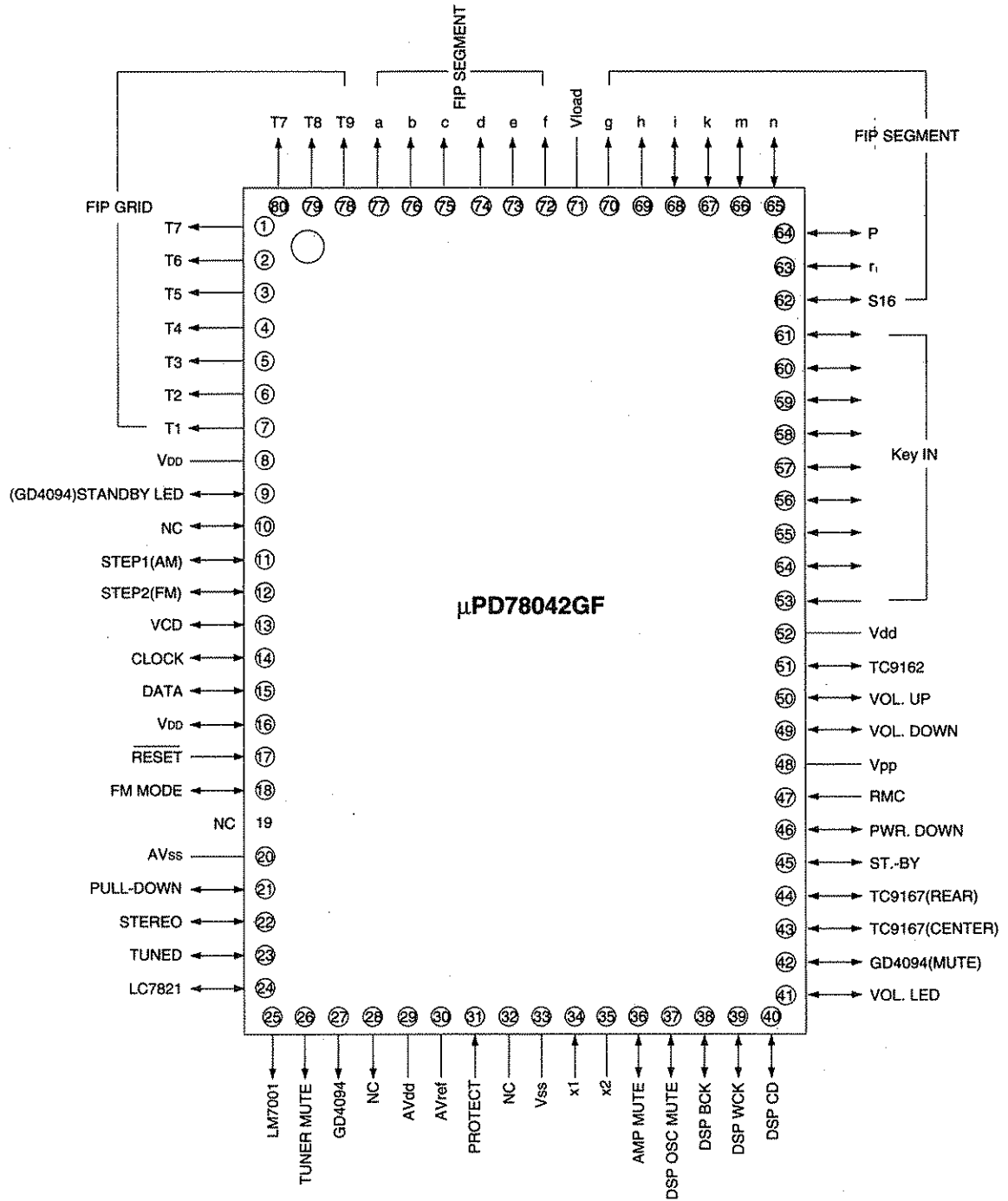
CB4)



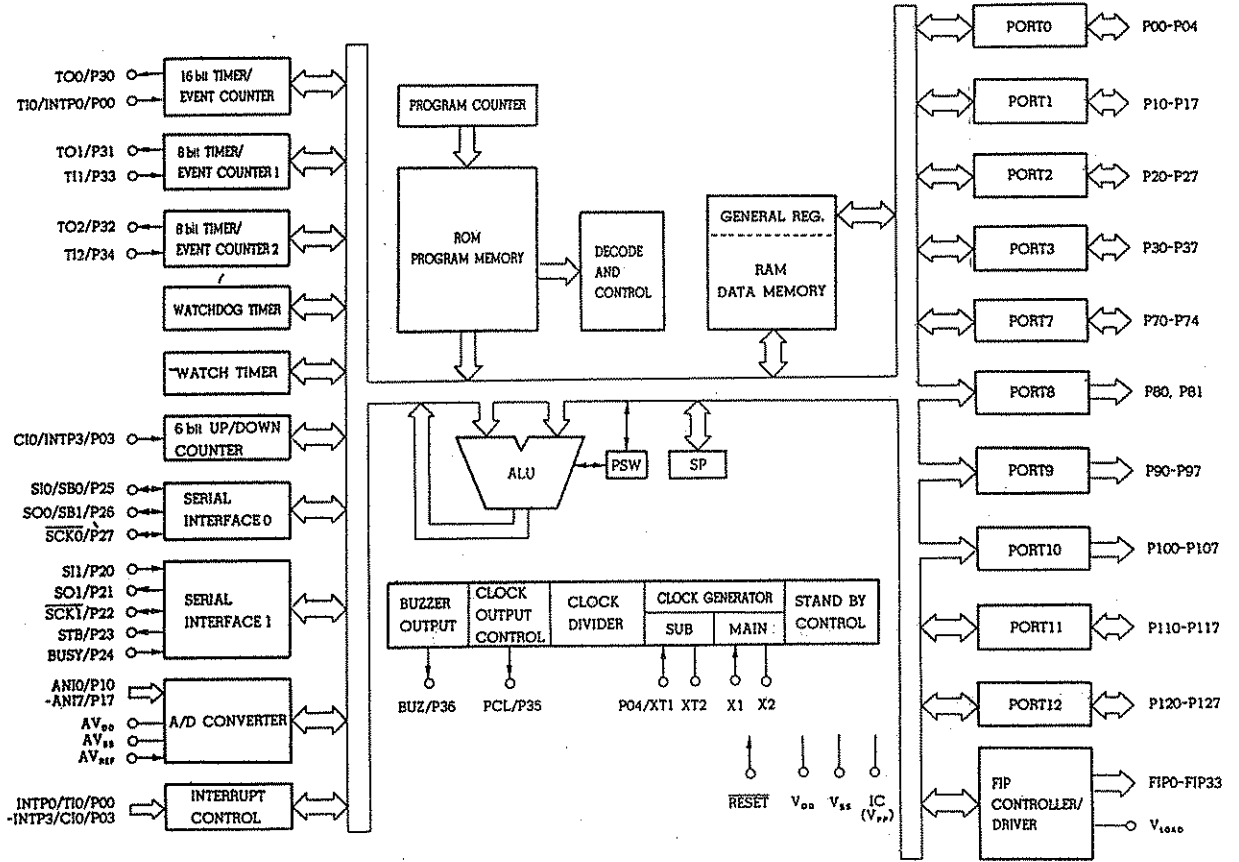
5. SERVICE TEST PROGRAM

IC801:μPD78042GF

1. Pin Configuration



2. Block Diagram



5. Key Matrix (46EA)

I/O	Pin 68	Pin 67	Pin 66	Pin 65	Pin 64	Pin 63	Pin 62	Pin 61
Pin 60	PRO-LOGIC	VCR1	AUTO/MANU	PRESET SCAN	PHONO	CENTER LEVEL ▼	TUNING ▲	SLEEP
Pin 59	PRO-LOGIC THEATER	VCR2/CAM	MEMORY	#2	FM	TEST TONE	SF-INTRO	POWER
Pin 58	JAZZ	TAPE1/DCC	#6	#1	CHURCH	REAR LEVEL ▲		FM-MODE
Pin 57	TAPE2/MONITOR	LDP	#5	#7	AM		DELAY TIME ▲	TUNING ▼
Pin 56	ROCK	TV/AUX	#3	#8	HALL	REAR LEVEL ▼	CENTER LEVEL ▲	VCR1/REC SEL.
Pin 55	CD	3-STEREO	#4	#9	#0	CENTER MODE	DELAY TIME ▼	ON/OFF

4. Input & Output Terminal Functions

Pin No.	Symbol	Description																							
1~7	GRID7~1	Grid signal output for FIP.																							
8	VDD	+5 V power supply.																							
9	ST-4094(LED)	Strobe port of GD4094(LED driver)																							
10	NC	Not Used !(Connected to VDD)																							
11/12	STEP1/STEP2	According to the model, input for selecting the frequency bands and step of FM and AM. Settings are as follows <table border="1" style="margin-left: 20px;"> <thead> <tr> <th>MODEL</th> <th>FREQUENCY BAND</th> <th>STEP</th> <th>STEP1</th> <th>STEP2</th> </tr> </thead> <tbody> <tr> <td rowspan="2">SR670U BL</td> <td>FM: 87.5 ~107.9 MHz</td> <td>200 kHz</td> <td>H</td> <td>H</td> </tr> <tr> <td>AM: 520~1710 kHz</td> <td>10 kHz</td> <td></td> <td></td> </tr> <tr> <td rowspan="2">74SR670/02</td> <td>FM: 87.5 ~108 MHz</td> <td>50 kHz</td> <td>L</td> <td>L</td> </tr> <tr> <td>AM: 522~1611 kHz (AM: 520~1700 kHz)</td> <td>9 kHz (10 kHz)</td> <td></td> <td></td> </tr> </tbody> </table>	MODEL	FREQUENCY BAND	STEP	STEP1	STEP2	SR670U BL	FM: 87.5 ~107.9 MHz	200 kHz	H	H	AM: 520~1710 kHz	10 kHz			74SR670/02	FM: 87.5 ~108 MHz	50 kHz	L	L	AM: 522~1611 kHz (AM: 520~1700 kHz)	9 kHz (10 kHz)		
MODEL	FREQUENCY BAND	STEP	STEP1	STEP2																					
SR670U BL	FM: 87.5 ~107.9 MHz	200 kHz	H	H																					
	AM: 520~1710 kHz	10 kHz																							
74SR670/02	FM: 87.5 ~108 MHz	50 kHz	L	L																					
	AM: 522~1611 kHz (AM: 520~1700 kHz)	9 kHz (10 kHz)																							
13	VCD SEL.	Input for selecting CD or VCD. At "H", VCD is selected and at "L", CD is selected.																							
14	CLOCK	Clock output.																							
15	DATA	Data output.																							
16	VDD	Not Used !(Connected to VDD)																							
17	RESET	Input for resetting CPU.(At "H", it is active.)																							
18	MODE	Output for selecting FM MONO or STEREO. At "H", FM MONO is selected and at "L", FM STEREO is selected.																							
19	NC	Not Used !(Connected to VDD)																							
20	GND(A.Vss)	Analog Ground.																							
21	PLUU-DOWN	Connected to pull-down resistor.																							
22	STEREO	Input for detecting FM STEREO.(At "L", it is active.)																							
23	TUNED	Input for detecting the station during tuning. When the station is detected, "L" is inputted.																							
24	ST-7821	Strobe port of LC-7821(function switch)																							
25	ST-7001	Strobe port of LM-7001(PLL IC)																							
26	T-MUTE	Output for tuner mute.(At "H", it is active.)																							
27	ST-4094	Strobe port of GD4094(VCR selector)																							
28	NC	Not Used !(Connected to VDD)																							
29	A.Vdd	Connected to VDD.																							
30	AVref	Reference voltage(Connected to 5 V, Not VDD)																							
31	PROTECT	Signal input for protection.(At "L", it is active.)																							
32	NC	Not Used !																							
33	GND(Vss)	Ground																							
34	X-TAL IN	Input for crystal oscillator.																							
35	X-TAL OUT	Output for crystal oscillator.																							
36	A-MUTE	Output for main mute.(At "H", it is active.)																							
37	SP OSC MUT	Output for DSP OSC. mute.(At "H", it is active.)																							
38	BCK	Data output of DSP parameter.																							
39	WCK	Data output of DSP parameter.																							
40	CD	Data output of DSP parameter.																							
41	VOL. IND.	Output for driving volume LED																							

Pin No
42
43
44
45
46
47
48
49
50
51
52
53~61
62~70
71
72~77
78~80

Pin No.	Symbol	Description
42	ST-4094	Strobe port of GD4094 (Switching IC to drive the mute stage)
43	ST-9167	Strobe port of TC9167 (Electronic volume of center channel)
44	ST-9167	Strobe port of TC9167 (Electronic volume of rear channel)
45	ST-BY	When the power is on, control data output is "H". When the power is off, control data output is "L" and last memory is activated.
46	PWR. DOWN	Input for detecting power down.(At "L", it is active.)
47	RMC	Input for remote control data.
48	GND (Vpp)	Ground
49	VOL. DOWN	Output to drive volume motor for decreasing volume level.
50	VOL. UP	Output to drive volume motor for increasing volume level.
51	ST-9162	Strobe port of TC9162 (DSP function control switch.)
52	VDD	+5 V power supply.
53~61	KEY IN 0~8	Data input for key scan.
62~70	SEGMENT S15~G	Segment signal output for FIP.
71	Vload	-30 V power supply for FIP.
72~77	SEGMENT F~A	Segment signal output for FIP.
78~80	GRID10~8	Grid signal output for FIP.

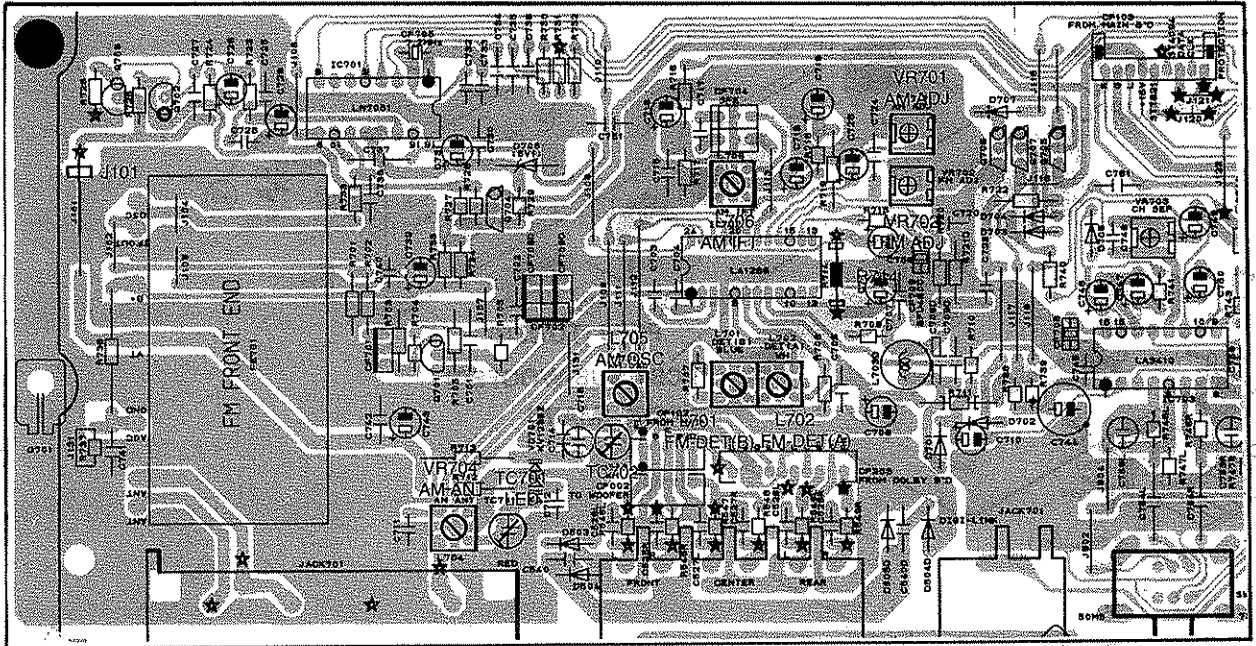
6. ALIGNMENT PROCEDURES

1. Equipment Required

- AM Standard Signal Generator (AM SSG)
- Oscilloscope
- AC Voltmeter
- FM Standard Signal Generator (FM SSG)
- Audio Generator
- Distortion Meter
- DC Voltmeter
- Stereo Modulator

Note: Disconnect external FM antenna prior to alignment.

2. Alignment and Test Points (PCB9: TUNER)



3. AM IF and RF Alignment

- Output of signal generator should not be greater than necessary to obtain an optimum output reading.
- Signal generator modulation : 30 %
- Switch : Press the BAND button to AM
- RF signal frequency : 400 Hz

* Remark: () 74SR670/02B

Step	Subject	Signal Generator Frequency	Set Frequency Setting	Equipment Connection	Adjustment Point	Adjust for
1	Tuning Voltage	520 kHz (522 kHz)	520 kHz 1) (522 kHz)	DC Volt meter to J101	L705	DC 1.1 ± 0.2 V
		1619 kHz (1611 kHz)	1619 kHz 2) (1611 kHz)		TC702	DC 8.5 ± 0.2 V
* Repeat the step 1) and 2) until the DC voltmeter reads the tuning voltage mentioned above.						
2	RF Tuning	600 kHz (594 kHz)	600 kHz 1) (594 kHz)	AC voltmeter and oscilloscope to TAPE OUT jack.	L704	Maximize audio output
		1400 kHz (1404 kHz)	1400 kHz 2) (1404 kHz)		TC701	
* Feed signal should be fed to loop antenna through the test loop antenna 60 cm distant from the appliance.						
* Repeat the step 1) and 2) until no further improvement occurs.						
3	IF	1000 kHz (999 kHz)	1000 kHz (999 kHz)	AC voltmeter to TAPE OUT jack.	L706	Symmetrical curve on AM IF genescope
4	Tuned Level	1000 kHz 800 μ V/m (999 kHz)	1000 kHz (999 kHz)	AC voltmeter to TAPE OUT jack.	VR701	"Tuned" flag in the FL display light on

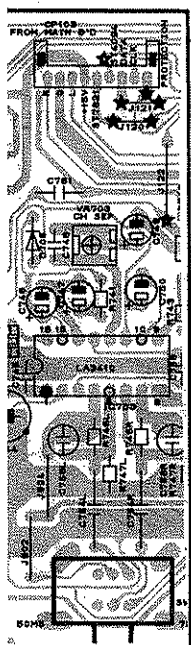
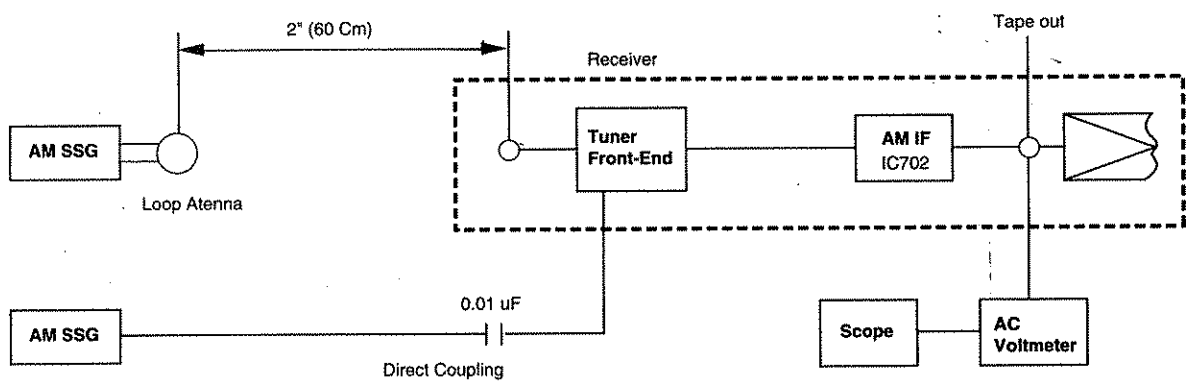


Fig.

t for
V
V
ed above.
stant
n
/

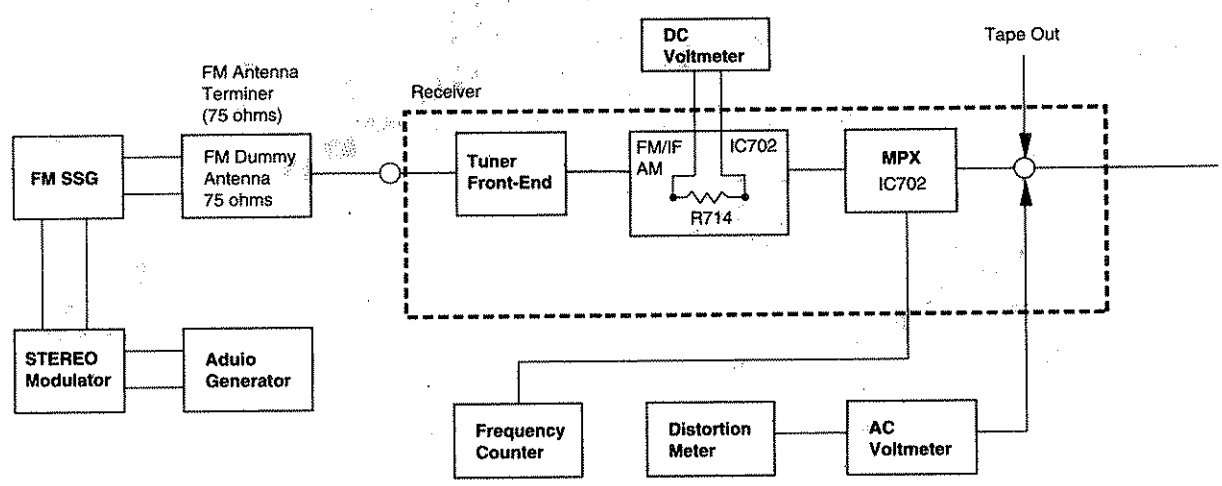


AM Alignment Connection

4. FM IF Alignment

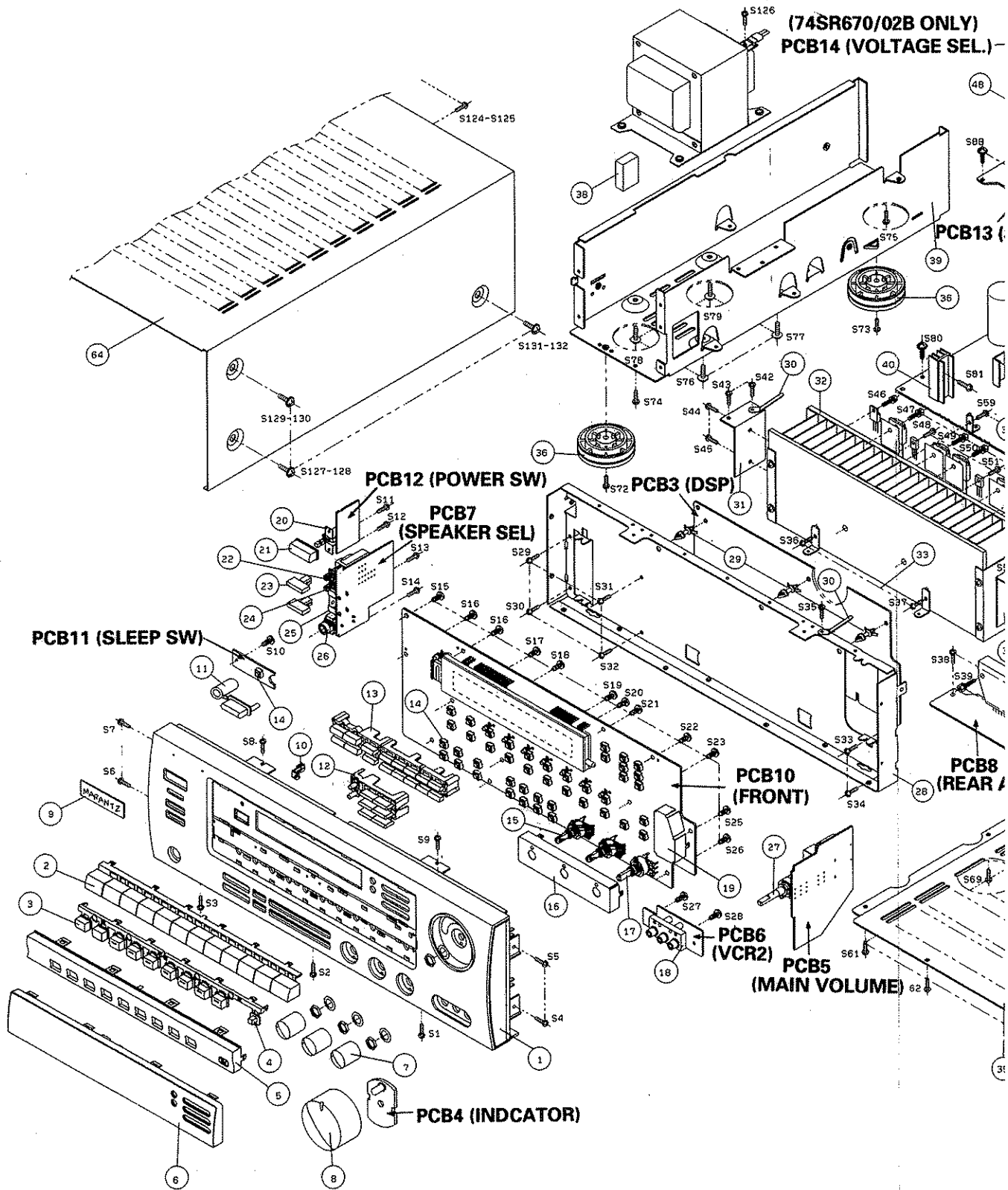
- Output of signal generator should not be greater than necessary to obtain an optimum output reading.
- Signal generator deviation : 75 kHz(40 kHz) RF signal frequency : 1 kHz
- Switch : Press the BAND button to FM and the FM MODE button to MONO
- * Remark: () 74SR670/02B

Step	Subject	Signal Generator Frequency	Set Frequency Setting	Equipment Connection	Adjustment Point	Adjust for
1	Tuning Band Width	98.1 MHz (98.0 MHz)	98.0 MHz (98.0 MHz)	DC voltmeter to R714(TUNER B'D)	L702	Zero reading on DC Volt meter
2	THD	98.1 MHz (98.0 MHz)	98.1 MHz (98.0 MHz)	Distortion meter to TAPE OUT jack.	L701	Minimize distortion
3	Tuned Level	98.1 MHz (98.0 MHz)	98.1 MHz (98.0 MHz)	Distortion meter to TAPE OUT jack.	VR702	FL display "TUNED" indication on receiver with FM SSG Output level of 10 uV/m



FM RF/IF and MPX Alignment Connection

7. EXPLODED VIEW AND PARTS LIST



SR670/02B ONLY
114 (VOLTAGE SEL.)

PCB13 (SUPPLY)

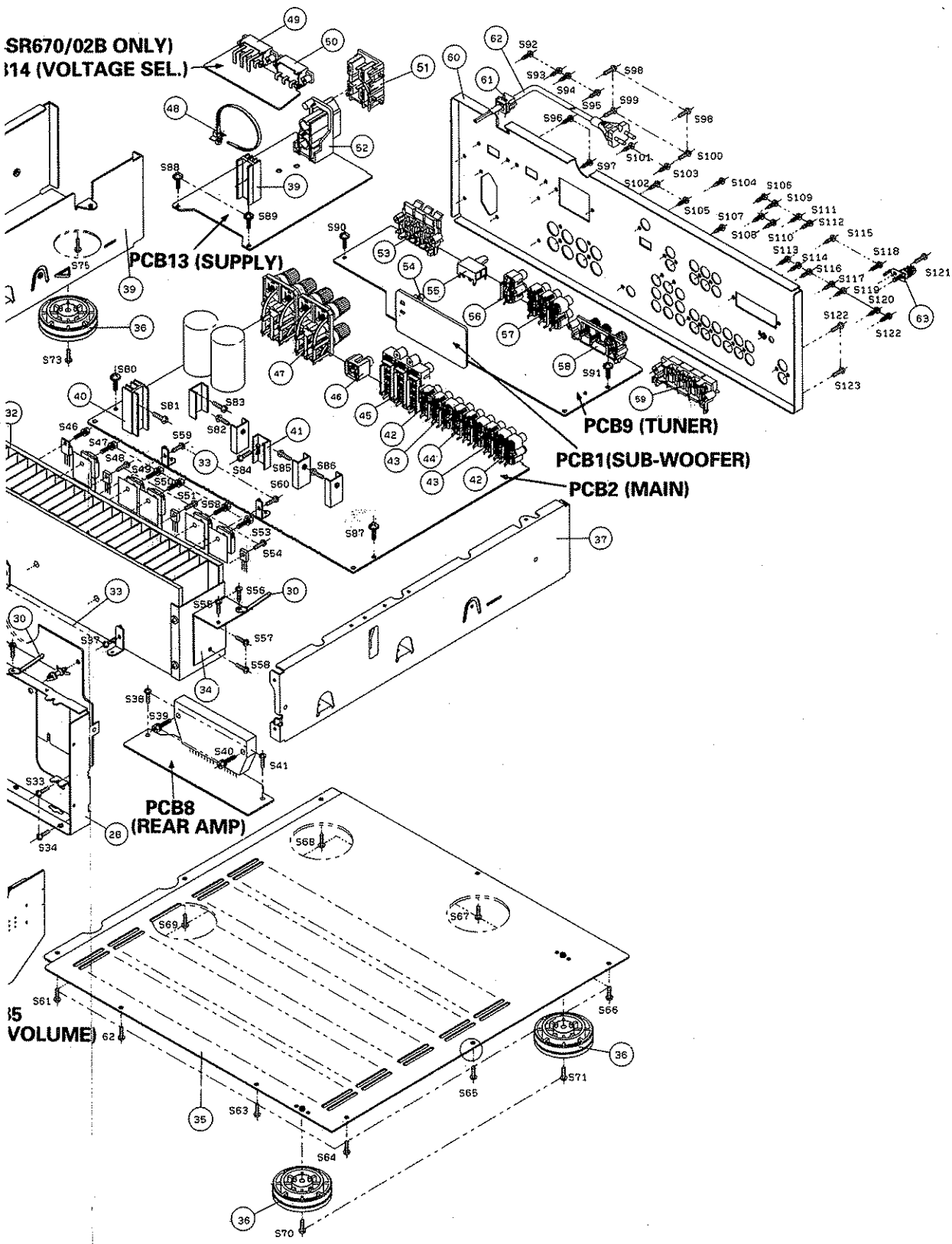
PCB9 (TUNER)

PCB1 (SUB-WOOFER)

PCB2 (MAIN)

PCB8 (REAR AMP)

15 VOLUME



(VERS. :VERSION, U:U.S.A, F:JAPAN, K:FAR EAST, **:EUROPE)

POS. NO	VERS. COLOR	PART NO. (PCS)	DESCRIPTION	PART NO. (MJI)	POS. NO	VERS. COLOR	PART NO. (PCS)	DESCRIPTION	PART NO. (MJI)
			ACCESSORIES		▲ 51	U	nsp	AC OUTLET	*YT000910R
	U	nsp	ANTENNA DIPOLE FM	*ZA000080R	(PLUG901)				
	/02B	nsp	ANTENNA CORD FM	nsp	▲ 52	/02B	4822 267 31994	AC OUTLET YKE31-0090	*YT000920R
	U	nsp	ANTENNA AM LOOP	*ZA000090R	(PLUG901)				
	/02B	nsp	ANTENNA AM LOOP	nsp	53		4822 290 81737	TERMINAL P40620702P	*YT000800R
Z001		4822 219 10214	REMOTE CONTROL UNIT	ZK192W0010	(JACK601)				
					54		4822 265 10932	JACK RCA 1P(SUBWOOFER)	*YT001070R
001T	U	nsp	USER GUIDE (U)	192W851250	(JACK001)				
001T	/02B	4822 736 15183	USER GUIDE (/02)	192W851310	55	/02B	4822 277 11687	SWITCH/SLIDE SSP322G30	*SS000540R
					(SW701)				
			CABINET & CHASSIS		56		4822 267 31993	JACK RCA 2P ORANGE	*YT000850R
1		4822 459 04527	PANEL FRONT	192W248010	(JACK701)				
2		4822 410 11051	BUTTON 11 KEY	192W270040	57		4822 267 41252	JACK RCA 6P JK0600460N	*YT001040R
3		4822 410 11052	BUTTON FUNCTION L 5 KEY	192W270030	(JACK702)				
4		4822 410 11053	BUTTON FUNCTION R 5 KEY	192W270080	58	/02B	4822 290 81738	TERMINAL SC0210391N	*YT000820R
5		4822 442 00843	CAP FRONT DECORATION	192W053010	(ANT701)				
6		4822 450 10301	WINDOW FLD	192W158010	59	U	4822 290 81737	TERMINAL P40620702P	*YT000800R
7		4822 410 11054	KNOB (TONE/BALANCE)	192W154020	(ANT701)				
8		4822 410 11055	KNOB MAIN VOLUME	192W154010	▲ 62	/02B	4822 321 11309	CORD AC POWER	*YC000320R
9		nsp	BADGE MARANTZ	168W251010	▲ 62	U	nsp	CORD AC POWER	*YC000300R
11		4822 410 11056	BUTTON SLEEP	192W270010	63		4822 265 10933	TERMINAL S4011062KN	*YT001020R
12		4822 410 11057	BUTTON 8 KEY	192W270020					
13		4822 410 11058	BUTTON 16 KEY	192W270050					
14		4822 276 13661	SWITCH SKHV10910D01 KB581	*SP000610R					
15		4822 101 11754	VOLUME RK16K128000114C RMD41	*RM000240R					
(VR401/402)					▲	U	nsp	MISCELLANEOUS	*TS000650R
16		nsp	SHIELD FENCE (A)	nsp	▲	/02B	4822 146 10771	POWER TRANS 120V 60Hz	*TS000660R
17		4822 101 11755	VOLUME RK16K128000114H RMM44	*RM000250R			nsp	CABLE UL2896-1.25-24-180	*YU000330R
(VR403)							nsp	CABLE YS=1.25-12-400-C	*YU000340R
18		4822 265 31321	JACK VIDEO 3P	*YT000870R			nsp	CABLE YS=1.25-18-220-C	*YU000350R
(JACK401)							4822 117 12656	ASS'Y POSISTOR 180MM	*HP000040R
19		nsp	SHIELD FENCE (B)	nsp					
▲ 20		4822 276 13807	SWITCH BSB-8279V	*SP000680R					
(SW901)									
21		4822 410 11059	BUTTON POWER S/W	192W270070					
22		4822 276 13658	SWITCH SPEAKER (2/2)	*SP000620R					
(SW501)									
23		4822 410 11061	BUTTON SPEAKER PUSH SW	192W270060					
24		4822 276 13656	SW PUSH 19K IN081SUH68	*SP000630R					
(SW502)									
26(H/P)		4822 265 10927	JACK PHONE HTJ064-05D(G)	*YT001030R					
27		4822 101 11756	VOLUME RK16316MC 283 F08 RMOV3	*RM000260R					
(VR301)									
36		4822 462 10695	FOOT	168W057010					
42		4822 265 10928	JACK RCA 2P JK0200430N	*YT001050R					
(JACK101/104)									
43		4822 265 20741	JACK RCA 4P JK0400450N	*YT000860R					
(JACK102/104)									
44		4822 267 41252	JACK RCA 6P JK0600460N	*YT001040R					
(JACK103)									
45		4822 265 10929	JACK RCA 9P JK090150CN	*YT001080R					
(JACK105)									
46		4822 265 10931	JACK RCA 1P JC010127YN	*YT001060R					
(JACK106)									
47		4822 290 81737	TERMINAL P40620702P	*YT000800R					
(JACK108)									
48		nsp	LOCKING TIE	nsp					
▲ 49	/02B	4822 273 10322	SWITCH SDJL4SBK011 (RAS-2201)	*SS000520R					
(VOL902)									
▲ 50	/02B	4822 273 10321	SWITCH SDJL2SBK011 (RAS-1201)	*SS000530R					
(VOL901)									

*YT001480R

NOTE : nsp = PART IS LISTED FOR REFERENCE ONLY, MARANTZ WILL NOT SUPPLY THESE PARTS.

8. ELECTRICAL PARTS LIST

ASSIGNMENT OF COMMON PARTS CODES.

RESISTOR

R*** : 1) GD05 x x x 140, Carbon film fixed resistor, $\pm 5\%$ 1/4W
R*** : 2) GD05 x x x 160, Carbon film fixed resistor, $\pm 5\%$ 1/6W

① — Resistance value

Examples :

① Resistance value
 0.1 Ω ...001 10 Ω ...100 1k Ω ...102 100k Ω ...104
 0.5 Ω ...005 18 Ω ...180 2.7k Ω ...272 680k Ω ...684
 1 Ω ...010 100 Ω ...101 10k Ω ...103 1M Ω ...105
 6.8 Ω ...068 390 Ω ...391 22k Ω ...223 4.7M Ω ...475

(Note) Please distinguish 1/4W from 1/6W by the shape of parts used actually.

C*** : CERAMIC CAP.

1) DD1 x x x 370, Ceramic capacitor
 Disc type
 Temp.coeff.P350~N1000,50V
 Capacity value
 Tolerance

Examples

① Tolerance (Capacity deviation)
 $\pm 0.25\text{pF}$... 0
 $\pm 0.5\text{pF}$... 1
 $\pm 5\%$... 5

* Tolerance of COMMON PARTS handled here are as follows :

0.5pF~ 5pF... $\pm 0.25\text{pF}$
 6pF~ 10pF... $\pm 0.5\text{pF}$
 12pF~ 560pF... $\pm 5\%$

② Capacity value

0.5pF...005 3pF...030 100pF...101
 1pF...010 10pF...100 220pF...221
 1.5pF...015 47pF...470 560pF...561

C*** : CERAMIC CAP.

1) DK16 x x x 300, High dielectric constant ceramic capacitor
 Disc type
 Temp.chara. 2B4, 50V
 Capacity value

Examples

① Capacity value
 100pF...101 1000pF...102 10000pF...103
 470pF...471 2200pF...222

C*** : ELECTROLY CAP. (E), FILM CAP. (F)

1) EA x x x x x 10, Electrolytic capacitor
 One-way lead type, Tolerance $\pm 20\%$
 Working voltage
 Capacity value

Examples

① Capacity value
 0.1 μF ...104 4.7 μF ...475 100 μF ...107
 0.33 μF ...334 10 μF ...106 330 μF ...337
 1 μF ...105 22 μF ...226 1100 μF ...118
 2200 μF ...228

② Working voltage

6.3V...006 25V...025
 10V...010 35V...035
 16V...016 50V...050

2) DF15 x x x 350 — Plastic film capacitor
 DF15 x x x 310 — One-way type, Mylar $\pm 5\%$ 50V
 DF16 x x x 310 — Plastic film capacitor
 One-way type, Mylar $\pm 10\%$ 50V
 Capacity value

Examples

① Capacity value
 0.001 μF (1000pF)...102 0.1 μF ...104
 0.0018 μF ...182 0.56 μF ...564
 0.01 μF ...103 1 μF ...105
 0.015 μF ...153

NOTE : 1) The above CODES (**R*****, **R*****, **C*****, **C***** and **C*****) are omitted on the schematic diagram in some case.
 2) On the occasion, be confirmed the common parts on the parts list.
 3) Refer to "Common Parts List" for the other common parts(R105, DD4, DK4).

NOTE ON SAFETY FOR FUSIBLE RESISTOR :

The suppliers and their type numbers of fusible resistors are as follows :

1. KOA Corporation

Part No.	Type No.	Description
NH05 x x x 140	RF25S x x x x Ω J	($\pm 5\%$ 1/4W)
NH05 x x x 120	RF50S x x x x Ω J	($\pm 5\%$ 1/2W)
NH85 x x x 110	RF73B2A x x x x Ω J	($\pm 5\%$ 1/10W)
NH95 x x x 140	RF73B2E x x x x Ω J	($\pm 5\%$ 1/4W)

* Resistance value (0.1-10k Ω)

2. Matsushita Electronic Components Co., Ltd

Part No.	Type No.	Description
NF05 x x x 140	ERD-2FCJ x x x	($\pm 5\%$ 1/4W)
RF05 x x x 140		
NF02 x x x 140	ERD-2FCG x x x	($\pm 2\%$ 1/4W)
RF02 x x x 140		

* Resistance value

Examples :

* Resistance value
 0.1 Ω ...001 10 Ω ...100 1k Ω ...102 100k Ω ...104
 0.5 Ω ...005 18 Ω ...180 2.7k Ω ...272 680k Ω ...684
 1 Ω ...010 100 Ω ...101 10k Ω ...103 1M Ω ...105
 6.8 Ω ...068 390 Ω ...391 22k Ω ...223 4.7M Ω ...475

ABBREVIATION AND MARKS

1 ANT. : ANTENNA	2 BATT. : BATTERY
3 CAP. : CAPACITOR	4 CER. : CERAMIC
5 CONN. : CONNECTING	6 DIG. : DIGITAL
7 HP : HEADPHONE	8 MIC. : MICROPHONE
9 μ -PRO : MICROPROCESSOR	10 REC. : RECORDING
11 RES. : RESISTOR	12 SPK : SPEAKER
13 SW : SWITCH	14 TRANSF. : TRANSFORMER
15 TRIM. : TRIMMING	16 TRS. : TRANSISTOR
17 VAR. : VARIABLE	18 X'TAL : CRYSTAL
19	20
21	22
23	24
25	26
27	28
29	30

NOTE ON SAFETY :

Symbol \blacktriangle Fire or electrical shock hazard. Only original parts should be used to replaced any part marked with symbol \blacktriangle . Any other component substitution (other than original type), may increase risk of fire or electrical shock hazard.

安全上の注意 :

\blacktriangle がついている部品は、安全上重要な部品です。必ず指定されている部品番号の部品を使用して下さい。

(VERS.:VERSION, U:U.S.A, F:JAPAN, K:FAR EAST, **:EUROPE)

POS. NO	VERS. COLOR	PART NO. (PCS)	DESCRIPTION	PART NO. (MJI)	POS. NO	VERS. COLOR	PART NO. (PCS)	DESCRIPTION	PART NO. (MJI)
PCB1			ASSEMBLY P.C.BOARD SUB-WOOFER		C115		nsp	CER. TUBULAR 0.01μF 16V	nsp
C001		nsp	MYLAR 0.33μF 63V K	nsp	C116		nsp	ELECT. SG 47μF 25V M	nsp
C002		nsp	ELECT. SG 1μF 50V M	nsp	C117		nsp	ELECT. SG 47μF 25V M	nsp
C003		nsp	ELECT. SG 47μF 25V M	nsp	C118		nsp	ELECT. SG 470μF 10V M	nsp
C004		nsp	ELECT. SG 47μF 25V M	nsp	C119		nsp	CER. TUBULAR 0.1μF 50V	nsp
C005		nsp	CER. DISC 0.1μF 50V Z	nsp	C120L	/02B	nsp	CER. TUBULAR 100pF 50V	nsp
					C120R	/02B	nsp	CER. TUBULAR 100pF 50V	nsp
					C121L		nsp	CER. TUBULAR 100pF 50V	nsp
					C121R		nsp	CER. TUBULAR 100pF 50V	nsp
					C122L	/02B	nsp	CER. TUBULAR 100pF 50V	nsp
IC001		4822 209 15499	KA324	*HC103880R	C122R	/02B	nsp	CER. TUBULAR 100pF 50V	nsp
					C123L		nsp	CER. TUBULAR 100pF 50V	nsp
					C123R		nsp	CER. TUBULAR 100pF 50V	nsp
Q001		4822 130 42959	KTA1266/KTA1015Y PNP	*HT100290R	C124L	/02B	nsp	CER. TUBULAR 100pF 50V	nsp
Q002		4822 130 62503	DTC114YS	*BA000210R	C124R	/02B	nsp	CER. TUBULAR 100pF 50V	nsp
Q003		4822 130 62503	DTC114YS	*BA000210R	C125L		nsp	CER. TUBULAR 100pF 50V	nsp
					C125R		nsp	CER. TUBULAR 100pF 50V	nsp
					C127L		nsp	CER. TUBULAR 100pF 50V	nsp
R001C		nsp	METAL FILM 1kΩ 1/5W J	nsp	C127R		nsp	CER. TUBULAR 100pF 50V	nsp
R001L		nsp	METAL FILM 1kΩ 1/5W J	nsp	C128L	/02B	nsp	CER. TUBULAR 100pF 50V	nsp
R001R		nsp	METAL FILM 1kΩ 1/5W J	nsp					
R002C		nsp	CARBON FILM 100kΩ 1/5W J	nsp	C128R	/02B	nsp	CER. TUBULAR 100pF 50V	nsp
R002L		nsp	CARBON FILM 100kΩ 1/5W J	nsp	C129L		nsp	CER. TUBULAR 100pF 50V	nsp
R002R		nsp	CARBON FILM 100kΩ 1/5W J	nsp	C129R		nsp	CER. TUBULAR 100pF 50V	nsp
R003C		nsp	METAL FILM 1kΩ 1/5W J	nsp	C131L		nsp	CER. TUBULAR 100pF 50V	nsp
R003L		nsp	METAL FILM 1kΩ 1/5W J	nsp	C131R		nsp	CER. TUBULAR 100pF 50V	nsp
R003R		nsp	METAL FILM 1kΩ 1/5W J	nsp	C132L	/02B	nsp	CER. TUBULAR 100pF 50V	nsp
R004		nsp	METAL FILM 470Ω 1/5W J	nsp	C132R	/02B	nsp	CER. TUBULAR 100pF 50V	nsp
					C133L		nsp	CER. TUBULAR 100pF 50V	nsp
R005		nsp	METAL FILM 470Ω 1/5W J	nsp	C133R		nsp	CER. TUBULAR 100pF 50V	nsp
R006		nsp	CARBON FILM 100kΩ 1/5W J	nsp	C134L	/02B	nsp	CER. TUBULAR 100pF 50V	nsp
R007		nsp	METAL FILM 1.8kΩ 1/5W J	nsp					
R008		nsp	METAL FILM 1kΩ 1/5W J	nsp	C134R	/02B	nsp	CER. TUBULAR 100pF 50V	nsp
R009		nsp	METAL FILM 4.7kΩ 1/5W J	nsp	C135L		nsp	CER. TUBULAR 100pF 50V	nsp
R010		nsp	CARBON FILM 100kΩ 1/5W J	nsp	C135R		nsp	CER. TUBULAR 100pF 50V	nsp
R011		nsp	METAL FILM 3.3kΩ 1/5W J	nsp	C136L	/02B	nsp	CER. TUBULAR 100pF 50V	nsp
R012		nsp	CARBON FILM 10kΩ 1/5W J	nsp	C136R	/02B	nsp	CER. TUBULAR 100pF 50V	nsp
					C137L		nsp	CER. TUBULAR 100pF 50V	nsp
					C137R		nsp	CER. TUBULAR 100pF 50V	nsp
54 (JACK001)		4822 265 10932	JACK RCA 1P(SUBWOOFER)	*YT001070R	C138		nsp	ELECT. SG 33μF 25V M	nsp
					C139		nsp	ELECT. SG 33μF 25V M	nsp
					C140		nsp	ELECT. SG 470μF 10V M	nsp
PCB2			ASSEMBLY P.C.BOARD MAIN		C141		nsp	ELECT. SG 33μF 25V M	nsp
					C142		nsp	ELECT. SG 470μF 10V M	nsp
C101L	/02B	nsp	CER. TUBULAR 100pF 50V	nsp	C143		nsp	ELECT. SG 10μF 50V M	nsp
C101R	/02B	nsp	CER. TUBULAR 100pF 50V	nsp	C144		nsp	ELECT. SG 10μF 50V M	nsp
C102L		nsp	CER. TUBULAR 100pF 50V	nsp	C145		nsp	ELECT. SG 33μF 25V M	nsp
C102R		nsp	CER. TUBULAR 100pF 50V	nsp	C146		nsp		nsp
C103L		nsp	ELECT. SG 4.7μF 50V M	nsp			nsp	ELECT. SG 1μF 50V M	nsp
C103R		nsp	ELECT. SG 4.7μF 50V M	nsp	C148		nsp		nsp
C105L		nsp	ELECT. SG 33μF 25V M	nsp	C149L		nsp	ELECT. SG 10μF 50V M	nsp
C105R		nsp	ELECT. SG 33μF 25V M	nsp	C149R		nsp	ELECT. SG 10μF 50V M	nsp
C106L		nsp	MYLAR 0.0018μF 100V J	nsp					
C106R		nsp	MYLAR 0.0018μF 100V J	nsp	C152L		nsp	CER. TUBULAR 5.6pF 50V K	nsp
					C152R		nsp	CER. TUBULAR 5.6pF 50V K	nsp
C107L		nsp	MYLAR 0.0056μF 100V J	nsp	C153L		nsp	ELECT. SG 22μF 25V M	nsp
C107R		nsp	MYLAR 0.0056μF 100V J	nsp	C153R		nsp	ELECT. SG 22μF 25V M	nsp
C108L		nsp	ELECT. SG 1μF 50V M	nsp	C155		nsp	ELECT. SG 47μF 25V M	nsp
C108R		nsp	ELECT. SG 1μF 50V M	nsp	C156		nsp	ELECT. SG 47μF 25V M	nsp
C109L		nsp	MYLAR 0.0018μF 100V J	nsp	C157L		nsp	ELECT. SG 10μF 50V M	nsp
C109R		nsp	MYLAR 0.0018μF 100V J	nsp	C157R		nsp	ELECT. SG 10μF 50V M	nsp
C110					C161L		nsp	CER. TUBULAR 5.6pF 50V K	nsp
		nsp	ELECT. SG 47μF 25V M	nsp	C161R		nsp	CER. TUBULAR 5.6pF 50V K	nsp
C113									
C114		nsp	ELECT. SG 1μF 50V M	nsp					

NOTE : nsp = PART IS LISTED FOR REFERENCE ONLY, MARANTZ WILL NOT SUPPLY THESE PARTS.

(VERS.:VERSION, U:U.S.A, F:JAPAN, K:FAR EAST, **:EUROPE)

POS. NO	VERS. COLOR	PART NO. (PCS)	DESCRIPTION	PART NO. (MJI)	POS. NO	VERS. COLOR	PART NO. (PCS)	DESCRIPTION	PART NO. (MJI)
C162L		nsp	ELECT. SG 22 μ F 25V M	nsp				DIODES	
C162R		nsp	ELECT. SG 22 μ F 25V M	nsp	D101		4822 130 30621	1N4148 SWITCHING	QP13030621
C164		nsp	ELECT. SG 47 μ F 25V M	nsp	D501C		4822 130 30621	1N4148 SWITCHING	QP13030621
C165		nsp	ELECT. SG 47 μ F 25V M	nsp	D501L		4822 130 30621	1N4148 SWITCHING	QP13030621
C168		nsp	CER. TUBULAR 100pF 50V	nsp	D501R		4822 130 30621	1N4148 SWITCHING	QP13030621
C169		nsp	CER. TUBULAR 0.1 μ F 50V	nsp	D502C		4822 130 30621	1N4148 SWITCHING	QP13030621
C170		nsp	CER. TUBULAR 0.1 μ F 50V	nsp	D502L		4822 130 30621	1N4148 SWITCHING	QP13030621
C175					D502R		4822 130 30621	1N4148 SWITCHING	QP13030621
I		nsp	CER. TUBULAR 0.1 μ F 50V	nsp	D503		4822 130 10878	ZENER UZ 12V(BSC)	*HD301300R
C177					D504		4822 130 30621	1N4148 SWITCHING	QP13030621
C501C		nsp	ELECT. SG 47 μ F 25V M	nsp	▲ D505		4822 130 33765	PX6A03 RECTIFIER	QP13033765
C501L		nsp	ELECT. SG 47 μ F 25V M	nsp	▲ D508				
C501R		nsp	ELECT. SG 47 μ F 25V M	nsp				INTEGRATED CIRCUITS	
C502C		nsp	CER. TUBULAR 68pF 50V	nsp	IC101		4822 209 91029	KIA4559P/KIA75559P	*HC103590R
C502L		nsp	CER. TUBULAR 68pF 50V	nsp	IC102		4822 209 72748	LC7821	HC10228030
C502R		nsp	CER. TUBULAR 68pF 50V	nsp	IC103		4822 209 72748	LC7821	HC10228030
C503C		nsp	ELECT. SG 1 μ F 50V M	nsp	IC104		4822 209 90745	BA7625 VIDEO SW	*HC103900R
C503L		nsp	ELECT. SG 1 μ F 50V M	nsp	IC105		4822 209 15015	MC14094BCP	*HC103850R
C503R		nsp	ELECT. SG 1 μ F 50V M	nsp	IC106		4822 209 91029	KIA4559P/KIA75559P	*HC103590R
C504C		nsp	CER. DISC 5pF 50V D	nsp	IC107		4822 209 91029	KIA4559P/KIA75559P	*HC103590R
C504L		nsp	CER. DISC 5pF 50V D	nsp	▲ IC108		4822 209 91031	KA7806 REGULATOR	*HC300120R
C504R		nsp	CER. DISC 5pF 50V D	nsp	▲ IC109		4822 209 91033	KA7815 REGULATOR	*HC300150R
C505C		nsp	ELECT. SG 470 μ F 10V M	nsp	▲ IC110		4822 209 91032	KA7915 REGULATOR	*HC300130R
C505L		nsp	ELECT. SG 470 μ F 10V M	nsp				COILS	
C505R		nsp	ELECT. SG 470 μ F 10V M	nsp	L101L /02B		4822 157 11218	INDUCTOR 47 μ H	*LC106600R
C506C		nsp	ELECT. SG 10 μ F 50V M	nsp	L101R /02B		4822 157 11218	INDUCTOR 47 μ H	*LC106600R
C506L		nsp	ELECT. SG 10 μ F 50V M	nsp	L501L		4822 157 71892	INDUCTOR 0.5 μ H	*LC106490R
C506R		nsp	ELECT. SG 10 μ F 50V M	nsp	L501R		4822 157 71892	INDUCTOR 0.5 μ H	*LC106490R
C507C		nsp	CER. TUBULAR 120pF 50V K	nsp				TRANSISTORS	
C507L		nsp	CER. TUBULAR 120pF 50V K	nsp	Q101		4822 130 42959	KTA1266/KTA1015Y PNP	*HT100290R
C507R		nsp	CER. TUBULAR 120pF 50V K	nsp	Q102		4822 130 42959	KTA1266/KTA1015Y PNP	*HT100290R
C508C		nsp	ELECT. SG 2.2 μ F 50V M	nsp	Q501C		4822 130 42959	KTA2400 PNP	*HT100290R
C508L		nsp	ELECT. SG 2.2 μ F 50V M	nsp	Q501L		4822 130 42959	KTA2400 PNP	*HT100290R
C508R		nsp	ELECT. SG 2.2 μ F 50V M	nsp	Q501R		4822 130 42959	KTA2400 PNP	*HT100290R
C509C		nsp	MYLAR 0.33 μ F 63V K	nsp	Q502C		4822 130 42959	KTA2400 PNP	*HT100290R
C509L		nsp	MYLAR 0.33 μ F 63V K	nsp	Q502L		4822 130 42959	KTA2400 PNP	*HT100290R
C509R		nsp	MYLAR 0.33 μ F 63V K	nsp	Q502R		4822 130 42959	KTA2400 PNP	*HT100290R
C510L		nsp	MYLAR 0.047 μ F 100V J	nsp	Q503C		4822 130 10857	KTA965/KTA1023 PNP	*HT100300R
C510R		nsp	MYLAR 0.047 μ F 100V J	nsp	Q503L		4822 130 10857	KTA965/KTA1023 PNP	*HT100300R
C511		nsp	ELECT. SG 470 μ F 10V M	nsp	Q503R		4822 130 10857	KTA965/KTA1023 PNP	*HT100300R
C512		nsp	ELECT. SG 1 μ F 100V M	nsp	Q504C		4822 130 42959	KTA1266/KTA1015Y PNP	*HT100290R
C513					Q504L		4822 130 42959	KTA1266/KTA1015Y PNP	*HT100290R
I		nsp	MYLAR 0.01 μ F 400V K	nsp	Q504R		4822 130 42959	KTA1266/KTA1015Y PNP	*HT100290R
C517					Q505C		4822 130 43225	KTC3206Y NPN	HT322292A0
▲ C518		4822 124 11962	ELECT. HM 8200 μ F 80V M	*EA000640R	Q505L		4822 130 43225	KTC3206Y NPN	HT322292A0
▲ C519		4822 124 11962	ELECT. HM 8200 μ F 80V M	*EA000640R	Q505R		4822 130 43225	KTC3206Y NPN	HT322292A0
C520L /02B		nsp	CER. TUBULAR 2200pF 16V K	nsp	Q506C		4822 130 43225	KTC3206Y NPN	HT322292A0
C520R /02B		nsp	CER. TUBULAR 2200pF 16V K	nsp	Q506L		4822 130 43225	KTC3206Y NPN	HT322292A0
C521L /02B		nsp	CER. TUBULAR 2200pF 16V K	nsp	Q506R		4822 130 43225	KTC3206Y NPN	HT322292A0
C521R /02B		nsp	CER. TUBULAR 2200pF 16V K	nsp	Q507C		4822 130 43012	KTA1024Y PNP	HT112082A0
C522L /02B		nsp	CER. TUBULAR 2200pF 16V K	nsp	Q507L		4822 130 43012	KTA1024Y PNP	HT112082A0
C522R /02B		nsp	CER. TUBULAR 2200pF 16V K	nsp	Q507R		4822 130 43012	KTA1024Y PNP	HT112082A0
C523L /02B		nsp	CER. TUBULAR 2200pF 16V K	nsp	Q508C		4822 130 10857	KTA965/KTA1023 PNP	*HT100300R
C523R /02B		nsp	CER. TUBULAR 2200pF 16V K	nsp	Q508L		4822 130 10857	KTA965/KTA1023 PNP	*HT100300R
					Q508R		4822 130 10857	KTA965/KTA1023 PNP	*HT100300R
					Q509C		4822 130 10858	KTC2235/KTC1027 NPN	*HT300470R
					Q509L		4822 130 10858	KTC2235/KTC1027 NPN	*HT300470R
					Q509R		4822 130 10858	KTC2235/KTC1027 NPN	*HT300470R
					Q510C		4822 130 63899	2SC4137 NPN BIAS	*HT300410R

NOTE : nsp = PART IS LISTED FOR REFERENCE ONLY, MARANTZ WILL NOT SUPPLY THESE PARTS.

(VERS.:VERSION, U:U.S.A, F:JAPAN, K:FAR EAST, **:EUROPE)

POS. NO	VERS. COLOR	PART NO. (PCS)	DESCRIPTION	PART NO. (MJI)	POS. NO	VERS. COLOR	PART NO. (PCS)	DESCRIPTION	PART NO. (MJI)
Q510L		4822 130 63899	2SC4137 NPN BIAS	*HT300410R	R122L		nsp	METAL FILM 470Ω 1/5W J	nsp
Q510R		4822 130 63899	2SC4137 NPN BIAS	*HT300410R	R122R		nsp	METAL FILM 470Ω 1/5W J	nsp
Q511C		4822 130 10855	2SA1859A-Y PNP	*HT100270R	R123L		nsp	METAL FILM 470Ω 1/5W J	nsp
Q511L		4822 130 10855	2SA1859A-Y PNP	*HT100270R	R123R		nsp	METAL FILM 470Ω 1/5W J	nsp
Q511R		4822 130 10855	2SA1859A-Y PNP	*HT100270R	R124L		nsp	METAL FILM 470Ω 1/5W J	nsp
Q512C		4822 130 10856	2SC4883A-Y NPN	*HT300450R	R124R		nsp	METAL FILM 470Ω 1/5W J	nsp
Q512L		4822 130 10856	2SC4883A-Y NPN	*HT300450R	R125L		nsp	METAL FILM 470Ω 1/5W J	nsp
Q512R		4822 130 10856	2SC4883A-Y NPN	*HT300450R	R125R		nsp	METAL FILM 470Ω 1/5W J	nsp
Q513C		4822 130 41744	2SC3855 NPN	*HT300460R	R126L		nsp	METAL FILM 470Ω 1/5W J	nsp
Q513L		4822 130 41744	2SC3855 NPN	*HT300460R	R126R		nsp	METAL FILM 470Ω 1/5W J	nsp
Q513R		4822 130 41744	2SC3855 NPN	*HT300460R	R127L		nsp	CARBON FILM 100kΩ 1/5W J	nsp
Q514C		4822 130 41743	2SA1491 PNP	*HT100280R	R127R		nsp	CARBON FILM 100kΩ 1/5W J	nsp
Q514L		4822 130 41743	2SA1491 PNP	*HT100280R	R128L		nsp	METAL FILM 470Ω 1/5W J	nsp
Q514R		4822 130 41743	2SA1491 PNP	*HT100280R	R128R		nsp	METAL FILM 470Ω 1/5W J	nsp
Q515C		4822 130 43225	KTC3206Y NPN	HT322292A0	R129L		nsp	METAL FILM 470Ω 1/5W J	nsp
Q515L		4822 130 43225	KTC3206Y NPN	HT322292A0	R129R		nsp	METAL FILM 470Ω 1/5W J	nsp
Q515R		4822 130 43225	KTC3206Y NPN	HT322292A0	R130L		nsp	CARBON FILM 100kΩ 1/5W J	nsp
Q516		4822 130 42959	KTA1266/KTA1015Y PNP	*HT100290R	R130R		nsp	CARBON FILM 100kΩ 1/5W J	nsp
Q517		4822 130 42298	KTC1815Y/KTC3198 NPN	HT30001000	R131				
Q518		4822 130 42298	KTC1815Y/KTC3198 NPN	HT30001000	R135		nsp	METAL FILM 75Ω 1/5W J	nsp
Q519		4822 130 43225	KTC3206Y NPN	HT322292A0	R136		nsp	METAL FILM 100Ω 1/5W J	nsp
Q520		4822 130 42298	KTC1815Y/KTC3198 NPN	HT30001000	R137		nsp	METAL FILM 100Ω 1/5W J	nsp
Q521		4822 130 62503	DTC114YS	*BA000210R	▲ R138	4822 053 11109	METAL FILM 10Ω 2W J	GA05100020	
R401L	nsp		RESISTORS METAL FILM 1kΩ 1/5W J	nsp	▲ R139	4822 117 10419	METAL FILM 4.7Ω 2W J	GA05047020	
R101R	nsp		METAL FILM 1kΩ 1/5W J	nsp	▲ R140	4822 053 11109	METAL FILM 10Ω 2W J	GA05100020	
R102L	nsp		CARBON FILM 91kΩ 1/5W J	nsp	R141L		nsp	CARBON FILM 100kΩ 1/5W J	nsp
R102R	nsp		CARBON FILM 91kΩ 1/5W J	nsp	R141R		nsp	CARBON FILM 100kΩ 1/5W J	nsp
R103L	nsp		CARBON FILM 91kΩ 1/5W J	nsp	R142L		nsp	CARBON FILM 4.7kΩ 1/5W J	nsp
R103R	nsp		CARBON FILM 91kΩ 1/5W J	nsp	R142R		nsp	CARBON FILM 4.7kΩ 1/5W J	nsp
R104L	nsp		METAL FILM 820Ω 1/5W J	nsp	R143L		nsp	CARBON FILM 100kΩ 1/5W J	nsp
R104R	nsp		METAL FILM 820Ω 1/5W J	nsp	R143R		nsp	CARBON FILM 100kΩ 1/5W J	nsp
R105L	nsp		CARBON FILM 43kΩ 1/5W J	nsp	R144		nsp	METAL FILM 100Ω 1/5W J	nsp
R105R	nsp		CARBON FILM 43kΩ 1/5W J	nsp	R145		nsp	METAL FILM 100Ω 1/5W J	nsp
R106L	nsp		CARBON FILM 560kΩ 1/5W J	nsp	R145L		nsp	CARBON FILM 100kΩ 1/5W J	nsp
R106R	nsp		CARBON FILM 560kΩ 1/5W J	nsp	R146R		nsp	CARBON FILM 100kΩ 1/5W J	nsp
R107L	nsp		METAL FILM 560Ω 1/5W J	nsp	R147L		nsp	CARBON FILM 4.7kΩ 1/5W J	nsp
R107R	nsp		METAL FILM 560Ω 1/5W J	nsp	R147R		nsp	CARBON FILM 4.7kΩ 1/5W J	nsp
R108L	nsp		CARBON FILM 100kΩ 1/5W J	nsp	R149L		nsp	CARBON FILM 100kΩ 1/5W J	nsp
R108R	nsp		CARBON FILM 100kΩ 1/5W J	nsp	R149R		nsp	CARBON FILM 100kΩ 1/5W J	nsp
R109					R150		nsp	METAL FILM 100Ω 1/5W J	nsp
R112			METAL FILM 220Ω 1/5W J	nsp	R151		nsp	METAL FILM 100Ω 1/5W J	nsp
R113	nsp		CARBON FILM 100kΩ 1/5W J	nsp	R152L		nsp	CARBON FILM 100kΩ 1/5W J	nsp
R114	nsp		METAL FILM 220Ω 1/5W J	nsp	R152R		nsp	CARBON FILM 100kΩ 1/5W J	nsp
R115	nsp		METAL FILM 220Ω 1/5W J	nsp	R153		nsp	METAL FILM 1kΩ 1/5W J	nsp
R116	nsp		METAL FILM 10Ω 1/5W J	nsp	R501		nsp	CARBON FILM 150kΩ 1/5W J	nsp
R117	nsp		METAL FILM 75Ω 1/5W J	nsp	R502C		nsp	CARBON FILM 33kΩ 1/5W J	nsp
R118	nsp		METAL FILM 100Ω 1/5W J	nsp	R502L		nsp	CARBON FILM 33kΩ 1/5W J	nsp
R119	nsp		METAL FILM 100Ω 1/5W J	nsp	R502R		nsp	CARBON FILM 33kΩ 1/5W J	nsp
R120L	nsp		METAL FILM 470Ω 1/5W J	nsp	R503C		nsp	METAL FILM 330Ω 1/5W J	nsp
R120R	nsp		METAL FILM 470Ω 1/5W J	nsp	R503L		nsp	METAL FILM 330Ω 1/5W J	nsp
R121L	nsp		METAL FILM 470Ω 1/5W J	nsp	R503R		nsp	METAL FILM 330Ω 1/5W J	nsp
R121R	nsp		METAL FILM 470Ω 1/5W J	nsp	R504C		nsp	METAL FILM 390Ω 1/5W J	nsp
					R504L		nsp	METAL FILM 390Ω 1/5W J	nsp
					R504R		nsp	METAL FILM 390Ω 1/5W J	nsp
					R505C		nsp	METAL FILM 390Ω 1/5W J	nsp
					R505L		nsp	METAL FILM 390Ω 1/5W J	nsp
					R505R		nsp	METAL FILM 390Ω 1/5W J	nsp
					R506C		nsp	CARBON FILM 1.5kΩ 1/5W J	nsp
					R506L		nsp	CARBON FILM 1.5kΩ 1/5W J	nsp

NOTE : nsp = PART IS LISTED FOR REFERENCE ONLY, MARANTZ WILL NOT SUPPLY THESE PARTS.

(VERS.:VERSION, U:U.S.A, F:JAPAN, K:FAR EAST, **:EUROPE)

POS. NO	VERS. COLOR	PART NO. (PCS)	DESCRIPTION	PART NO. (MJI)	POS. NO	VERS. COLOR	PART NO. (PCS)	DESCRIPTION	PART NO. (MJI)
R506R		nsp	CARBON FILM 1.5kΩ 1/5W J	nsp	R526R		nsp	METAL FILM 68Ω 1/5W J	nsp
R507C		nsp	CARBON FILM 1.5kΩ 1/5W J	nsp	▲ R527C		4822 111 92141	CEMENT 0.27Ω 5W K	*GO000010R
R507L		nsp	CARBON FILM 1.5kΩ 1/5W J	nsp	▲ R527L		4822 111 92141	CEMENT 0.27Ω 5W K	*GO000010R
R507R		nsp	CARBON FILM 1.5kΩ 1/5W J	nsp	▲ R527R		4822 111 92141	CEMENT 0.27Ω 5W K	*GO000010R
R508C		nsp	CARBON FILM 33kΩ 1/5W J	nsp	▲ R528C		4822 111 92141	CEMENT 0.27Ω 5W K	*GO000010R
R508L		nsp	CARBON FILM 33kΩ 1/5W J	nsp	▲ R528L		4822 111 92141	CEMENT 0.27Ω 5W K	*GO000010R
R508R		nsp	CARBON FILM 33kΩ 1/5W J	nsp	▲ R528R		4822 111 92141	CEMENT 0.27Ω 5W K	*GO000010R
R509C		nsp	CARBON FILM 10kΩ 1/5W J	nsp	R529C		nsp	CARBON FILM 1.8kΩ 1/5W J	nsp
R509L		nsp	CARBON FILM 10kΩ 1/5W J	nsp	R529L		nsp	CARBON FILM 1.8kΩ 1/5W J	nsp
R509R		nsp	CARBON FILM 10kΩ 1/5W J	nsp	R529R		nsp	CARBON FILM 1.8kΩ 1/5W J	nsp
R510C		nsp	METAL FILM 330Ω 1/5W J	nsp	R530C		nsp	CARBON FILM 1.3kΩ 1/5W J	nsp
R510L		nsp	METAL FILM 330Ω 1/5W J	nsp	R530L		nsp	CARBON FILM 1.5kΩ 1/5W J	nsp
R510R		nsp	METAL FILM 330Ω 1/5W J	nsp	R530R		nsp	CARBON FILM 1.5kΩ 1/5W J	nsp
R511C		nsp	METAL FILM 560Ω 1/5W J	nsp	R531C		nsp	METAL FILM 910Ω 1/5W J	nsp
R511L		nsp	METAL FILM 560Ω 1/5W J	nsp	R531L		nsp	METAL FILM 910Ω 1/5W J	nsp
R511R		nsp	METAL FILM 560Ω 1/5W J	nsp	R531R		nsp	METAL FILM 910Ω 1/5W J	nsp
R512C		nsp	METAL FILM 560Ω 1/5W J	nsp	R532L		nsp	METAL FILM 22Ω 1/5W J	nsp
R512L		nsp	METAL FILM 560Ω 1/5W J	nsp	R532R		nsp	METAL FILM 22Ω 1/5W J	nsp
R512R		nsp	METAL FILM 560Ω 1/5W J	nsp	R533L		nsp	METAL FILM 22Ω 1/5W J	nsp
R513C		nsp	METAL FILM 560Ω 1/5W J	nsp	R533R		nsp	METAL FILM 22Ω 1/5W J	nsp
R513L		nsp	METAL FILM 560Ω 1/5W J	nsp	▲ R534L		4822 053 10109	METAL FILM 10Ω 1W J	GA05100010
R513R		nsp	METAL FILM 560Ω 1/5W J	nsp	▲ R534R		4822 053 10109	METAL FILM 10Ω 1W J	GA05100010
R514C		nsp	METAL FILM 560Ω 1/5W J	nsp	R535C		nsp	CARBON FILM 15kΩ 1/5W J	nsp
R514L		nsp	METAL FILM 560Ω 1/5W J	nsp	R535L		nsp	CARBON FILM 15kΩ 1/5W J	nsp
R514R		nsp	METAL FILM 560Ω 1/5W J	nsp	R535R		nsp	CARBON FILM 15kΩ 1/5W J	nsp
R515C		nsp	METAL FILM 560Ω 1/5W J	nsp	R536C		nsp	CARBON FILM 6.8kΩ 1/5W J	nsp
R515L		nsp	METAL FILM 560Ω 1/5W J	nsp	R536L		nsp	CARBON FILM 6.8kΩ 1/5W J	nsp
R515R		nsp	METAL FILM 560Ω 1/5W J	nsp	R536R		nsp	CARBON FILM 6.8kΩ 1/5W J	nsp
R516C		nsp	CARBON FILM 1.2kΩ 1/5W J	nsp	R537		nsp	CARBON FILM 10kΩ 1/5W J	nsp
R516L		nsp	CARBON FILM 1.2kΩ 1/5W J	nsp	R538		nsp	CARBON FILM 4.7kΩ 1/5W J	nsp
R516R		nsp	CARBON FILM 1.2kΩ 1/5W J	nsp	R540		nsp	CARBON FILM 4.7kΩ 1/5W J	nsp
R517C		nsp	METAL FILM 560Ω 1/5W J	nsp	R541		nsp	METAL FILM 220Ω 1/5W J	nsp
R517L		nsp	METAL FILM 560Ω 1/5W J	nsp	R542		nsp	CARBON FILM 1.5kΩ 1/5W J	nsp
R517R		nsp	METAL FILM 560Ω 1/5W J	nsp	R543		nsp	CARBON FILM 3.3kΩ 1/5W J	nsp
R518C		nsp	METAL FILM 560Ω 1/5W J	nsp	R544		nsp	CARBON FILM 68kΩ 1/5W J	nsp
R518L		nsp	METAL FILM 560Ω 1/5W J	nsp	R545		nsp	CARBON FILM 100kΩ 1/5W J	nsp
R518R		nsp	METAL FILM 560Ω 1/5W J	nsp	R551C		nsp	METAL FILM 100Ω 1/5W J	nsp
R519C		nsp	METAL FILM 56Ω 1/5W J	nsp	R551L		nsp	METAL FILM 82Ω 1/5W J	nsp
R519L		nsp	METAL FILM 56Ω 1/5W J	nsp	R551R		nsp	METAL FILM 82Ω 1/5W J	nsp
R519R		nsp	METAL FILM 56Ω 1/5W J	nsp					
R520C		nsp	CARBON FILM 1.2kΩ 1/5W J	nsp					
R520L		nsp	CARBON FILM 1.2kΩ 1/5W J	nsp	42		4822 265 10928	JACK RCA 2P JK0200430N	*YT001050R
R520R		nsp	CARBON FILM 1.2kΩ 1/5W J	nsp	(JACK101104)				
R521C		nsp	CARBON FILM 10MΩ 1/5W J	nsp	43		4822 265 20741	JACK RCA 4P JK0400450N	*YT000860R
R521L		nsp	CARBON FILM 10MΩ 1/5W J	nsp	(JACK102104)				
R521R		nsp	CARBON FILM 10MΩ 1/5W J	nsp	44		4822 267 41252	JACK RCA 6P JK0600460N	*YT001040R
R522C		nsp	CARBON FILM 10MΩ 1/5W J	nsp	(JACK103)				
R522L		nsp	CARBON FILM 10MΩ 1/5W J	nsp	45		4822 265 10929	JACK RCA 9P JK090150CN	*YT001080R
R522R		nsp	CARBON FILM 10MΩ 1/5W J	nsp	(JACK105)				
R523C		nsp	CARBON FILM 360Ω 1/5W J	nsp	46		4822 265 10931	JACK RCA 1P JC010127YN	*YT001060R
R523L		nsp	CARBON FILM 360Ω 1/5W J	nsp	(JACK106)				
R523R		nsp	CARBON FILM 360Ω 1/5W J	nsp	47		4822 290 81737	TERMINAL P40620702P	*YT000800R
R524C		nsp	METAL FILM 56Ω 1/5W J	nsp	(JACK108)				
R524L		nsp	METAL FILM 56Ω 1/5W J	nsp					
R524R		nsp	METAL FILM 56Ω 1/5W J	nsp					
R525C		nsp	CARBON FILM 33kΩ 1/5W J	nsp					
R525L		nsp	CARBON FILM 33kΩ 1/5W J	nsp					
R525R		nsp	CARBON FILM 33kΩ 1/5W J	nsp					
R526C		nsp	METAL FILM 120Ω 1/5W J	nsp					
R526L		nsp	METAL FILM 68Ω 1/5W J	nsp					

NOTE : nsp = PART IS LISTED FOR REFERENCE ONLY, MARANTZ WILL NOT SUPPLY THESE PARTS.

(VERS. :VERSION, U:U.S.A, F:JAPAN, K:FAR EAST, **:EUROPE)

POS. NO	VERS. COLOR	PART NO. (PCS)	DESCRIPTION	PART NO. (MJI)	POS. NO	VERS. COLOR	PART NO. (PCS)	DESCRIPTION	PART NO. (MJI)
PCB3			ASSEMBLY P.C.BOARD DSP CAPACITORS		C235R		nsp	CER. TUBULAR 390pF 50V	nsp
C201L		nsp	MYLAR 0.001 μ F 100V J	nsp	C236		nsp	ELECT. SG 47 μ F 25V M	nsp
C201R		nsp	MYLAR 0.001 μ F 100V J	nsp	C242		nsp	ELECT. SG 47 μ F 25V M	nsp
C202L		nsp	CER. TUBULAR 120pF 50V K	nsp	C243		nsp	CER. TUBULAR 330pF 50V	nsp
C202R		nsp	CER. TUBULAR 120pF 50V K	nsp	C244		nsp	ELECT. SG 47 μ F 25V M	nsp
C203L		nsp	ELECT. SG 47 μ F 25V M	nsp	C245		nsp	CER. TUBULAR 100pF 50V	nsp
C203R		nsp	ELECT. SG 47 μ F 25V M	nsp	C246		nsp	ELECT. SG 47 μ F 25V M	nsp
C204		nsp	ELECT. SG 47 μ F 25V M	nsp	C247L		nsp	CER. TUBULAR 390pF 50V	nsp
C205		nsp	ELECT. SG 47 μ F 25V M	nsp	C247R		nsp	CER. TUBULAR 390pF 50V	nsp
C206L		nsp	ELECT. SG 100 μ F 10V M	nsp	C248		nsp	ELECT. SG 47 μ F 25V M	nsp
C206R		nsp	ELECT. SG 100 μ F 10V M	nsp	C249		nsp	CER. TUBULAR 390pF 50V	nsp
C207L		nsp	CER. TUBULAR 33pF 50V	nsp	C250		nsp	MYLAR 0.1 μ F 63V K	nsp
C207R		nsp	CER. TUBULAR 33pF 50V	nsp	C251		nsp	ELECT. SG 47 μ F 25V M	nsp
C208L		nsp	ELECT. SG 3.3 μ F 50V M	nsp	C252		nsp	ELECT. SG 47 μ F 25V M	nsp
C208R		nsp	ELECT. SG 3.3 μ F 50V M	nsp	C253		nsp	CER. TUBULAR 100pF 50V	nsp
C209L		nsp	MYLAR 0.0015 μ F 100V J	nsp	C255		nsp	ELECT. SG 47 μ F 25V M	nsp
C209R		nsp	MYLAR 0.0015 μ F 100V J	nsp	C256		nsp	ELECT. SG 47 μ F 25V M	nsp
C210L		nsp	CER. TUBULAR 220pF 50V	nsp	C257		nsp	ELECT. SG 47 μ F 25V M	nsp
C210R		nsp	CER. TUBULAR 220pF 50V	nsp	C258		nsp	CER. TUBULAR 100pF 50V	nsp
C211L		nsp	ELECT. SG 3.3 μ F 50V M	nsp	C260		nsp	ELECT. SG 0.22 μ F 50V M	nsp
C211R		nsp	ELECT. SG 3.3 μ F 50V M	nsp	C261L		nsp	ELECT. SG 0.22 μ F 50V M	nsp
C212L		nsp	CER. TUBULAR 390pF 50V	nsp	C261R		nsp	CER. TUBULAR 0.1 μ F 50V	nsp
C212R		nsp	CER. TUBULAR 390pF 50V	nsp	C262		nsp	CER. TUBULAR 390pF 50V	nsp
C213		nsp	ELECT. SG 47 μ F 25V M	nsp	C263L		nsp	CER. TUBULAR 390pF 50V	nsp
C214L		nsp	CER. TUBULAR 33pF 50V	nsp	C263R		nsp	CER. TUBULAR 390pF 50V	nsp
C214R		nsp	CER. TUBULAR 33pF 50V	nsp	C264		nsp	ELECT. SG 47 μ F 25V M	nsp
C215L		nsp	ELECT. SG 3.3 μ F 50V M	nsp	C265		nsp	ELECT. SG 47 μ F 25V M	nsp
C215R		nsp	ELECT. SG 3.3 μ F 50V M	nsp	C266L		nsp	ELECT. SG 3.3 μ F 50V M	nsp
C216L		nsp	MYLAR 0.0015 μ F 100V J	nsp	C266R		nsp	ELECT. SG 3.3 μ F 50V M	nsp
C216R		nsp	MYLAR 0.0015 μ F 100V J	nsp	C267		nsp	ELECT. SG 47 μ F 25V M	nsp
C217L		nsp	CER. TUBULAR 220pF 50V	nsp	C268		nsp	ELECT. SG 47 μ F 25V M	nsp
C217R		nsp	CER. TUBULAR 220pF 50V	nsp	C269		nsp	CER. TUBULAR 100pF 50V	nsp
C218L		nsp	MYLAR 0.0039 μ F 100V J	nsp	C271		nsp	ELECT. SG 1 μ F 50V M	nsp
C218R		nsp	MYLAR 0.0039 μ F 100V J	nsp	C272		nsp	ELECT. SG 22 μ F 25V M	nsp
C219L		nsp	ELECT. SG 3.3 μ F 50V M	nsp	C273		nsp	CER. TUBULAR 390pF 50V	nsp
C219R		nsp	ELECT. SG 3.3 μ F 50V M	nsp	C274		nsp	ELECT. SG 47 μ F 25V M	nsp
C220L		nsp	CER. TUBULAR 390pF 50V	nsp	C275		nsp	ELECT. SG 47 μ F 25V M	nsp
C220R		nsp	CER. TUBULAR 390pF 50V	nsp	C276		nsp	ELECT. SG 47 μ F 25V M	nsp
C221		nsp	ELECT. SG 47 μ F 25V M	nsp	C277		nsp	ELECT. SG 10 μ F 50V M	nsp
C222		nsp	ELECT. SG 47 μ F 25V M	nsp	C278		nsp	CER. TUBULAR 0.1 μ F 50V	nsp
C223L		nsp	MYLAR 0.0039 μ F 100V J	nsp	C279		nsp	ELECT. SG 100 μ F 50V M	nsp
C223R		nsp	MYLAR 0.0039 μ F 100V J	nsp	C280		nsp	ELECT. SG 100 μ F 50V M	nsp
C224		nsp	ELECT. SG 47 μ F 25V M	nsp	C281		nsp	CER. TUBULAR 0.1 μ F 50V	nsp
C227		nsp	ELECT. SG 100 μ F 10V M	nsp	C282		nsp	ELECT. SG 100 μ F 10V M	nsp
C228		nsp	ELECT. SG 100 μ F 10V M	nsp	C283		nsp	ELECT. SG 100 μ F 10V M	nsp
C229		nsp	CER. TUBULAR 0.1 μ F 50V	nsp	C284		nsp	CER. TUBULAR 0.1 μ F 50V	nsp
C230		nsp	ELECT. SG 47 μ F 25V M	nsp	C285		nsp	ELECT. SG 100 μ F 10V M	nsp
C231L		nsp	ELECT. SG 47 μ F 25V M	nsp	C286		nsp	ELECT. SG 100 μ F 10V M	nsp
C231R		nsp	ELECT. SG 47 μ F 25V M	nsp	C287		nsp	CER. TUBULAR 0.1 μ F 50V	nsp
C232		nsp	CER. TUBULAR 0.1 μ F 50V	nsp	C288		nsp	CER. TUBULAR 0.1 μ F 50V	nsp
C232L		nsp	CER. TUBULAR 390pF 50V	nsp	C288A		nsp	CER. TUBULAR 0.1 μ F 50V	nsp
C232R		nsp	CER. TUBULAR 390pF 50V	nsp	C289		nsp	CER. DISC (CH) 33pF 50V J	nsp
C233		nsp	POLY 0.0033 μ F 50V J	nsp	C290		nsp	CER. DISC (CH) 33pF 50V J	nsp
C233L		nsp	ELECT. SG 47 μ F 25V M	nsp	C291		nsp	ELECT. SG 100 μ F 10V M	nsp
C233R		nsp	ELECT. SG 47 μ F 25V M	nsp	C292		nsp	ELECT. SG 47 μ F 25V M	nsp
C234		nsp	POLY 0.0033 μ F 50V J	nsp					
C234L		nsp	ELECT. SG 47 μ F 25V M	nsp					
C234R		nsp	ELECT. SG 47 μ F 25V M	nsp					
C235		nsp	ELECT. SG 100 μ F 10V M	nsp					
C235L		nsp	CER. TUBULAR 390pF 50V	nsp					

NOTE : nsp = PART IS LISTED FOR REFERENCE ONLY, MARANTZ WILL NOT SUPPLY THESE PARTS.

(VERS. :VERSION, U:U.S.A, F:JAPAN, K:FAR EAST, **:EUROPE)

POS. NO	VERS. COLOR	PART NO. (PCS)	DESCRIPTION	PART NO. (MJI)	POS. NO	VERS. COLOR	PART NO. (PCS)	DESCRIPTION	PART NO. (MJI)
			DIODES						
D201L		4822 130 30621	1N4148 SWITCHING	QP13030621	R207L		nsp	CARBON FILM 10kΩ 1/5W J	nsp
D201R		4822 130 30621	1N4148 SWITCHING	QP13030621	R207R		nsp	CARBON FILM 10kΩ 1/5W J	nsp
D202L		4822 130 30621	1N4148 SWITCHING	QP13030621	R208L		nsp	METAL FILM 100Ω 1/5W J	nsp
D202R		4822 130 30621	1N4148 SWITCHING	QP13030621	R208R		nsp	METAL FILM 100Ω 1/5W J	nsp
D203L		4822 130 30621	1N4148 SWITCHING	QP13030621	R209L		nsp	CARBON FILM 10kΩ 1/5W J	nsp
D203R		4822 130 30621	1N4148 SWITCHING	QP13030621	R209R		nsp	CARBON FILM 10kΩ 1/5W J	nsp
D204L		4822 130 30621	1N4148 SWITCHING	QP13030621	R210L		nsp	CARBON FILM 3.3MΩ 1/5W J	nsp
D204R		4822 130 30621	1N4148 SWITCHING	QP13030621	R210R		nsp	CARBON FILM 3.3MΩ 1/5W J	nsp
D205		4822 130 30621	1N4148 SWITCHING	QP13030621	R211		nsp	CARBON FILM 5.6kΩ 1/5W J	nsp
D208		4822 130 30621	1N4148 SWITCHING	QP13030621	R212		nsp	METAL FILM 4.7kΩ 1/5W J	nsp
D209		4822 130 10853	LED SLR54URCA49	*HI100720R	R213L		nsp	CARBON FILM 100kΩ 1/5W J	nsp
			INTEGRATED CIRCUITS		R213R		nsp	CARBON FILM 100kΩ 1/5W J	nsp
IC201		4822 209 15494	YSS215	*HC103860R	R214L		nsp	CARBON FILM 10kΩ 1/5W J	nsp
IC202		4822 209 13683	GM76C256ALLFW70 SRAM	*HC103870R	R214R		nsp	CARBON FILM 10kΩ 1/5W J	nsp
IC203		4822 209 90086	KA7805 REGULATOR	*HC300140R	R215L		nsp	CARBON FILM 10kΩ 1/5W J	nsp
IC204		4822 209 15495	KIA4559S/KIA75559S	*HC103910R	R215R		nsp	CARBON FILM 10kΩ 1/5W J	nsp
IC205		4822 209 15496	NJM2082L	*HC103920R	R216L		nsp	CARBON FILM 10kΩ 1/5W J	nsp
IC206		4822 209 15495	KIA4559S/KIA75559S	*HC103910R	R216R		nsp	CARBON FILM 10kΩ 1/5W J	nsp
IC207		4822 209 15496	NJM2082L	*HC103920R	R217		nsp	METAL FILM 47Ω 1/5W J	nsp
IC208		4822 209 15495	KIA4559S/KIA75559S	*HC103910R	R218		nsp	METAL FILM 47Ω 1/5W J	nsp
IC209		4822 209 15496	NJM2082L	*HC103920R	R219		nsp	CARBON FILM 3.3MΩ 1/5W J	nsp
IC210		4822 209 15496	NJM2082L	*HC103920R	R220		nsp	CARBON FILM 3.3MΩ 1/5W J	nsp
IC211		4822 209 15495	KIA4559S/KIA75559S	*HC103910R	R221L		nsp	CARBON FILM 27kΩ 1/5W J	nsp
IC212		4822 209 15495	KIA4559S/KIA75559S	*HC103910R	R221R		nsp	CARBON FILM 27kΩ 1/5W J	nsp
IC213		4822 209 15497	TC9162N	HC10335050	R222L		nsp	CARBON FILM 10kΩ 1/5W J	nsp
IC214		4822 209 91026	TC9176P	HC10118050	R222R		nsp	CARBON FILM 10kΩ 1/5W J	nsp
IC215		4822 209 15495	KIA4559S/KIA75559S	*HC103910R	R223L		nsp	CARBON FILM 10kΩ 1/5W J	nsp
IC216		4822 209 91026	TC9176P	HC10118050	R223R		nsp	CARBON FILM 10kΩ 1/5W J	nsp
IC217		4822 209 15495	KIA4559S/KIA75559S	*HC103910R	R224L		nsp	CARBON FILM 10kΩ 1/5W J	nsp
			COILS		R224R		nsp	CARBON FILM 10kΩ 1/5W J	nsp
L202		4822 158 10896	BEAD CORE	*FC900180R	R225		nsp	METAL FILM 47Ω 1/5W J	nsp
L204		4822 146 10774	LPF 257BLR-K5013N	*TC000280R	R230		nsp	METAL FILM 100Ω 1/5W J	nsp
LPF201L		4822 146 10774	LPF 257BLR-K5013N	*TC000280R	R231L		nsp	METAL FILM 100Ω 1/5W J	nsp
LPF201R		4822 146 10774	LPF 257BLR-K5013N	*TC000280R	R231R		nsp	METAL FILM 100Ω 1/5W J	nsp
			TRANSISTORS		R232L		nsp	METAL FILM 3.3kΩ 1/5W J	nsp
Q201		4822 130 63904	KTD1302 NPN	HT413021A0	R232R		nsp	METAL FILM 3.3kΩ 1/5W J	nsp
Q202		4822 130 62787	KRA107M/DTA114YS	*BA000190R	R233		nsp	METAL FILM 47Ω 1/5W J	nsp
Q203		4822 130 42298	KTC1815Y/KTC3198 NPN	HT30001000	R234L		nsp	CARBON FILM 27kΩ 1/5W J	nsp
Q204		4822 130 63904	KTD1302 NPN	HT413021A0	R234R		nsp	CARBON FILM 27kΩ 1/5W J	nsp
Q205		4822 130 62787	KRA107M/DTA114YS	*BA000190R	R235L		nsp	CARBON FILM 10kΩ 1/5W J	nsp
Q206		4822 130 42298	KTC1815Y/KTC3198 NPN	HT30001000	R235R		nsp	CARBON FILM 10kΩ 1/5W J	nsp
Q207		4822 130 63904	KTD1302 NPN	HT413021A0	R236L		nsp	CARBON FILM 10kΩ 1/5W J	nsp
Q208		4822 130 63904	KTD1302 NPN	HT413021A0	R236R		nsp	CARBON FILM 10kΩ 1/5W J	nsp
Q209		4822 130 62787	KRA107M/DTA114YS	*BA000190R	R237L		nsp	CARBON FILM 9.1kΩ 1/5W J	nsp
Q210		4822 130 42298	KTC1815Y/KTC3198 NPN	HT30001000	R237R		nsp	CARBON FILM 9.1kΩ 1/5W J	nsp
Q211		4822 130 63904	KTD1302 NPN	HT413021A0	R238		nsp	METAL FILM 47Ω 1/5W J	nsp
Q212		4822 130 63904	KTD1302 NPN	HT413021A0	R239		nsp	METAL FILM 47Ω 1/5W J	nsp
			RESISTORS		R240		nsp	CARBON FILM 10kΩ 1/5W J	nsp
R202L	nsp		CARBON FILM 27kΩ 1/5W J	nsp	R241		nsp	CARBON FILM 12kΩ 1/5W J	nsp
R202R	nsp		CARBON FILM 27kΩ 1/5W J	nsp	R241A		nsp	METAL FILM 1.2kΩ 1/5W J	nsp
R203L	nsp		METAL FILM 4.7kΩ 1/5W J	nsp	R242		nsp	CARBON FILM 10kΩ 1/5W J	nsp
R203R	nsp		METAL FILM 4.7kΩ 1/5W J	nsp	R243		nsp	CARBON FILM 10kΩ 1/5W J	nsp
R204L	nsp		CARBON FILM 5.6kΩ 1/5W J	nsp	R244		nsp	CARBON FILM 100kΩ 1/5W J	nsp
R204R	nsp		CARBON FILM 5.6kΩ 1/5W J	nsp	R245		nsp	CARBON FILM 100kΩ 1/5W J	nsp
R205L	nsp		METAL FILM 180Ω 1/5W J	nsp	R246		nsp	METAL FILM 1kΩ 1/5W J	nsp
R205R	nsp		METAL FILM 180Ω 1/5W J	nsp	R247		nsp	CARBON FILM 12kΩ 1/5W J	nsp
R206L	nsp		METAL FILM 100Ω 1/5W J	nsp	R248		nsp	CARBON FILM 10kΩ 1/5W J	nsp
R206R	nsp		METAL FILM 100Ω 1/5W J	nsp			nsp	METAL FILM 4.7kΩ 1/5W J	nsp

NOTE : nsp = PART IS LISTED FOR REFERENCE ONLY, MARANTZ WILL NOT SUPPLY THESE PARTS.

(VERS. :VERSION, U:U.S.A, F:JAPAN, K:FAR EAST, **:EUROPE)

POS. NO	VERS. COLOR	PART NO. (PCS)	DESCRIPTION	PART NO. (MJI)	POS. NO	VERS. COLOR	PART NO. (PCS)	DESCRIPTION	PART NO. (MJI)
R251		nsp	CARBON FILM 10kΩ 1/5W J	nsp				MISCELLANEOUS	
R251A		nsp	CARBON FILM 5.6kΩ 1/5W J	nsp	XTL201		4822 242 10744	CRYSTAL 11.2896MHz	*JX000380R
R252		nsp	CARBON FILM 15kΩ 1/5W J	nsp					
R253		nsp	METAL FILM 220Ω 1/5W J	nsp					
R254		nsp	METAL FILM 47Ω 1/5W J	nsp	PCB4			ASSEMBLY P.C.BOARD	
R255		nsp	METAL FILM 47Ω 1/5W J	nsp				INDICATOR	
R256		nsp	METAL FILM 3.3kΩ 1/5W J	nsp				DIODES	
R257L		nsp	METAL FILM 910Ω 1/5W J	nsp	LED		4822 130 70051	LED SLR54URCF03	*HI100690R
R257R		nsp	METAL FILM 910Ω 1/5W J	nsp					
R257LA		nsp	CARBON FILM 10kΩ 1/5W J	nsp				RESISTORS	
R257RA		nsp	CARBON FILM 10kΩ 1/5W J	nsp	R201		nsp	RES. METAL FILM 390Ω 1/5W J	nsp
R258L		nsp	CARBON FILM 10kΩ 1/5W J	nsp					
R258R		nsp	CARBON FILM 10kΩ 1/5W J	nsp	PCB5			ASSEMBLY P.C.BOARD	
R259L		nsp	METAL FILM 100Ω 1/5W J	nsp				MAIN VOLUME	
R259R		nsp	METAL FILM 100Ω 1/5W J	nsp				CAPACITORS	
R260L		nsp	CARBON FILM 27kΩ 1/5W J	nsp	C301		nsp	ELECT. SG 1μF 50V M	nsp
R260R		nsp	CARBON FILM 27kΩ 1/5W J	nsp	C302		nsp	CER. TUBULAR 680pF 50V	nsp
R261		nsp	METAL FILM 220Ω 1/5W J	nsp	C303		nsp	ELECT. SG 10μF 50V M	nsp
R262		nsp	METAL FILM 220Ω 1/5W J	nsp	C304		nsp	CER. TUBULAR 100pF 50V	nsp
R263					C305		nsp	ELECT. SG 47μF 25V M	nsp
		nsp	METAL FILM 1kΩ 1/5W J	nsp	C306		nsp	ELECT. SG 47μF 25V M	nsp
R265					C307L		nsp	ELECT. SG 0.22μF 50V M	nsp
					C307R		nsp	ELECT. SG 0.22μF 50V M	nsp
R266		nsp	METAL FILM 47Ω 1/5W J	nsp	C308L		nsp	CER. TUBULAR 680pF 50V	nsp
R267		nsp	METAL FILM 47Ω 1/5W J	nsp	C308R		nsp	CER. TUBULAR 680pF 50V	nsp
R268									
		nsp	METAL FILM 1kΩ 1/5W J	nsp	C309L		nsp	ELECT. SG 3.3μF 50V M	nsp
R270					C309R		nsp	ELECT. SG 3.3μF 50V M	nsp
R271		nsp	METAL FILM 47Ω 1/5W J	nsp	C310L		nsp	CER. TUBULAR 100pF 50V	nsp
R272		nsp	METAL FILM 47Ω 1/5W J	nsp	C310R		nsp	CER. TUBULAR 100pF 50V	nsp
R273L		nsp	CARBON FILM 220kΩ 1/5W J	nsp	C311		nsp		
R273R		nsp	CARBON FILM 220kΩ 1/5W J	nsp			nsp	ELECT. SG 47μF 25V M	nsp
R274L		nsp	METAL FILM 820Ω 1/5W J	nsp	C313		nsp		
					C314		nsp	MYLAR 0.047μF 100V J	nsp
R274R		nsp	METAL FILM 820Ω 1/5W J	nsp	C315		nsp	ELECT. SG 100μF 10V M	nsp
R275L		nsp	CARBON FILM 6.8kΩ 1/5W J	nsp	C316		nsp	ELECT. SG 100μF 10V M	nsp
R275R		nsp	CARBON FILM 6.8kΩ 1/5W J	nsp				INTEGRATED CIRCUITS	
R276L		nsp	CARBON FILM 2kΩ 1/5W J	nsp	IC301		4822 209 30619	TA7291S	*HC103890R
R276R		nsp	CARBON FILM 2kΩ 1/5W J	nsp	IC302		4822 209 91029	KIA4559P/KIA75559P	*HC103590R
R277					IC303		4822 209 91029	KIA4559P/KIA75559P	*HC103590R
		nsp	METAL FILM 47Ω 1/5W J	nsp				RESISTORS	
R279					R311		nsp	CARBON FILM 27kΩ 1/5W J	nsp
R280					R312		nsp	CARBON FILM 6.2kΩ 1/5W J	nsp
		nsp	METAL FILM 1kΩ 1/5W J	nsp	R313		nsp	METAL FILM 1.8kΩ 1/5W J	nsp
R282					R314		nsp	METAL FILM 2.7kΩ 1/5W J	nsp
					R315		nsp	METAL FILM 47Ω 1/5W J	nsp
R283		nsp	CARBON FILM 220kΩ 1/5W J	nsp	R316		nsp	METAL FILM 47Ω 1/5W J	nsp
R284		nsp	CARBON FILM 3kΩ 1/5W J	nsp	R317		nsp	METAL FILM 1kΩ 1/5W J	nsp
R285		nsp	CARBON FILM 6.2kΩ 1/5W J	nsp	R318L		nsp	CARBON FILM 27kΩ 1/5W J	nsp
R286		nsp	METAL FILM 47Ω 1/5W J	nsp	R318R		nsp	CARBON FILM 27kΩ 1/5W J	nsp
R287		nsp	METAL FILM 47Ω 1/5W J	nsp	R319L		nsp	CARBON FILM 6.2kΩ 1/5W J	nsp
R288		nsp	CARBON FILM 2kΩ 1/5W J	nsp					
R289		nsp	CARBON FILM 10kΩ 1/5W J	nsp	R319R		nsp	CARBON FILM 6.2kΩ 1/5W J	nsp
R290					R320L		nsp	METAL FILM 2.7kΩ 1/5W J	nsp
		nsp	METAL FILM 2.2kΩ 1/5W J	nsp	R320R		nsp	METAL FILM 2.7kΩ 1/5W J	nsp
R297					R321L		nsp	CARBON FILM 2kΩ 1/5W J	nsp
					R321R		nsp	CARBON FILM 2kΩ 1/5W J	nsp
R298					R322		nsp	METAL FILM 47Ω 1/5W J	nsp
		nsp	METAL FILM 47Ω 1/5W J	nsp	R323		nsp	METAL FILM 47Ω 1/5W J	nsp
R301					R324		4822 053 10339	METAL FILM 33Ω 1W J	GA05330010
▲ R302		4822 053 10229	METAL FILM 22Ω 1W J	GA05220010	▲ R325		nsp	METAL FILM 4.7kΩ 1/5W J	nsp
▲ R303		4822 053 10229	METAL FILM 22Ω 1W J	GA05220010	R326		nsp	CARBON FILM 15kΩ 1/5W J	nsp
R304		nsp	METAL FILM 330Ω 1/5W J	nsp					
R305		nsp	CARBON FILM 1MΩ 1/5W J	nsp	R327		nsp	METAL FILM 1kΩ 1/5W J	nsp
R306		nsp	METAL FILM 100Ω 1/5W J	nsp	R328		nsp	METAL FILM 1kΩ 1/5W J	nsp
R307									
		nsp	METAL FILM 1kΩ 1/5W J	nsp					
R309									

NOTE : nsp = PART IS LISTED FOR REFERENCE ONLY, MARANTZ WILL NOT SUPPLY THESE PARTS.

(VERS. :VERSION, U:U.S.A, F:JAPAN, K:FAR EAST, **:EUROPE)

POS. NO	VERS. COLOR	PART NO. (PCS)	DESCRIPTION	PART NO. (MJI)	POS. NO	VERS. COLOR	PART NO. (PCS)	DESCRIPTION	PART NO. (MJI)
27 (VR301)		4822 101 11756	MISCELLANEOUS SW RK16316MC 283 F08 RMV03	*RM000260R	PCB8			ASSEMBLY P.C.BOARD REAR AMP CAPACITORS	
PCB6			ASSEMBLY P.C.BOARD VCR2 CAPACITORS		C601L		nsp	ELECT. SG 2.2μF 50V M	nsp
C401L		nsp	CER. TUBULAR 100pF 50V	nsp	C601R		nsp	ELECT. SG 2.2μF 50V M	nsp
C401R		nsp	CER. TUBULAR 100pF 50V	nsp	C602L		nsp	CER. TUBULAR 2200pF 16V K	nsp
C402L		nsp	CER. TUBULAR 100pF 50V	nsp	C602R		nsp	CER. TUBULAR 2200pF 16V K	nsp
C402R		nsp	CER. TUBULAR 100pF 50V	nsp	C603L		nsp	CER. TUBULAR 100pF 50V	nsp
C403		nsp	CER. TUBULAR 0.1μF 50V	nsp	C603R		nsp	CER. TUBULAR 100pF 50V	nsp
C404		nsp	CER. TUBULAR 0.1μF 50V	nsp	C604L		nsp	ELECT. SG 2.2μF 50V M	nsp
			DIODES		C604R		nsp	ELECT. SG 2.2μF 50V M	nsp
D401					C605L		nsp	CER. TUBULAR 5.6pF 50V K	nsp
		4822 130 30621	1N4148 SWITCHING	QP13030621	C605R		nsp	CER. TUBULAR 5.6pF 50V K	nsp
D404			RESISTORS		C606L		nsp	ELECT. SG 47μF 50V M	nsp
▲ R401L		4822 052 10471	METAL FILM 470Ω 1/5W J	GG05471160	C606R		nsp	ELECT. SG 47μF 50V M	nsp
▲ R401R		4822 052 10471	METAL FILM 470Ω 1/5W J	GG05471160	C607		nsp	MYLAR 0.1μF 63V K	nsp
			MISCELLANEOUS		C608				
18 (JACK401)		4822 265 31321	JACK VIDEO 3P	*YT000870R			nsp	ELECT. SG 10μF 50V M	nsp
PCB7			ASSEMBLY P.C.BOARD SPEAKER SELECTOR CAPACITORS		C611				
C520L /02B		nsp	CER. TUBULAR 2200pF 16V K	nsp	C612		nsp	CER. TUBULAR 0.022μF 25V K	nsp
C520R /02B		nsp	CER. TUBULAR 2200pF 16V K	nsp	C613		nsp	CER. TUBULAR 0.022μF 25V K	nsp
C521L /02B		nsp	CER. TUBULAR 2200pF 16V K	nsp	C622	/02B	nsp	MYLAR 0.22μF 63V K	nsp
C521R /02B		nsp	CER. TUBULAR 2200pF 16V K	nsp	C623	/02B	nsp	MYLAR 0.22μF 63V K	nsp
C522L /02B		nsp	CER. TUBULAR 2200pF 16V K	nsp				DIODES	
C522R /02B		nsp	CER. TUBULAR 2200pF 16V K	nsp	D601				
C523L /02B		nsp	CER. TUBULAR 2200pF 16V K	nsp					
C523R /02B		nsp	CER. TUBULAR 2200pF 16V K	nsp	D603		5322 130 30684	1N4002 RECTIFIER	QP13030684
C524L		nsp	CER. TUBULAR 560pF 50V	nsp				INTEGRATED CIRCUIT	
C524R		nsp	CER. TUBULAR 560pF 50V	nsp	IC601		4822 209 31514	STK4132H HYBRID	*HC103930R
C525		nsp	CER. TUBULAR 0.1μF 50V	nsp				RESISTORS	
D501		4822 130 30621	1N4148 SWITCHING	QP13030621	R601L		nsp	METAL FILM 1kΩ 1/5W J	nsp
D502		4822 130 30621	1N4148 SWITCHING	QP13030621	R601R		nsp	METAL FILM 1kΩ 1/5W J	nsp
▲ R550L		4822 053 11221	METAL FILM 470Ω 2W J	GA05221020	R602L		nsp	CARBON FILM 22kΩ 1/5W J	nsp
▲ R550R		4822 053 11221	METAL FILM 470Ω 2W J	GA05221020	R602R		nsp	CARBON FILM 22kΩ 1/5W J	nsp
			MISCELLANEOUS		R603L		nsp	METAL FILM 1.8kΩ 1/5W J	nsp
22 (SW501)		4822 276 13658	SWITCH SPEAKER (2/2)	*SP000620R	R603R		nsp	METAL FILM 1.8kΩ 1/5W J	nsp
24 (SW502)		4822 276 13656	SWITCH PUSH SPUL 19K IN081SUH88	*SP000630R	R604L		nsp	CARBON FILM 22kΩ 1/5W J	nsp
26(H/P)		4822 265 10927	JACK PHONE HTJ064-05D(G)	*YT001030R	R604R		nsp	CARBON FILM 22kΩ 1/5W J	nsp
					▲ R605L		4822 117 12712	METAL FILM 2.2kΩ 1W J	NK05222010
					▲ R605R		4822 117 12712	METAL FILM 2.2kΩ 1W J	NK05222010
					R606L		nsp	CARBON FILM 1.3kΩ 1/5W J	nsp
					R606R		nsp	CARBON FILM 1.3kΩ 1/5W J	nsp
					R607		nsp	METAL FILM 10Ω 1/5W J	nsp
					R608		nsp	METAL FILM 1.5kΩ 1/5W J	nsp
					R609		nsp	METAL FILM 1kΩ 1/5W J	nsp
					R610		nsp	CARBON FILM 10kΩ 1/5W J	nsp
					R611		nsp	CARBON FILM 390kΩ 1/5W J	nsp
					R612		nsp	CARBON FILM 68kΩ 1/5W J	nsp
					R613		nsp	CARBON FILM 220kΩ 1/5W J	nsp
					R614		nsp	METAL FILM 4.7kΩ 1/5W J	nsp

NOTE : nsp = PART IS LISTED FOR REFERENCE ONLY, MARANTZ WILL NOT SUPPLY THESE PARTS.

(VERS.:VERSION, U:U.S.A, F:JAPAN, K:FAR EAST, **:EUROPE)

POS. NO.	VERS. COLOR	PART NO. (PCS)	DESCRIPTION	PART NO. (MJI)	POS. NO.	VERS. COLOR	PART NO. (PCS)	DESCRIPTION	PART NO. (MJI)
PCB9			ASSEMBLY P.C.BOARD TUNER		C734		nsp	CER. TUBULAR 100pF 50V	nsp
			CAPACITORS		C736		nsp	CER. TUBULAR 0.01μF 16V	nsp
C526L		nsp	CER. TUBULAR 100pF 50V	nsp	C737		nsp	ELECT. SG 100μF 16V M	nsp
C526R		nsp	CER. TUBULAR 100pF 50V	nsp	C739		nsp	CER. DISC 0.01μF 50V Z	nsp
C527L		nsp	CER. TUBULAR 100pF 50V	nsp	C740		nsp	CER. DISC 0.01μF 50V Z	nsp
C527R		nsp	CER. TUBULAR 100pF 50V	nsp	C741	/02B	nsp	CER. DISC 0.01μF 50V Z	nsp
C528L		nsp	CER. TUBULAR 100pF 50V	nsp	C742		nsp	ELECT. SG 0.47μF 50V M	nsp
C528R		nsp	CER. TUBULAR 100pF 50V	nsp	C743		nsp	ELECT. SG 0.47μF 50V M	nsp
C540		nsp	CER. TUBULAR 0.1μF 50V	nsp	C744		nsp	ELECT. SG 220μF 16V M	nsp
C540D		nsp	CER. TUBULAR 0.1μF 50V	nsp	C745		nsp	CER. DISC 0.01μF 50V Z	nsp
C614L		nsp	ELECT. SG 4.7μF 50V M	nsp					
C614R		nsp	ELECT. SG 4.7μF 50V M	nsp	C746		nsp	ELECT. SG 0.47μF 50V M	nsp
					C747		nsp	ELECT. SG 0.47μF 50V M	nsp
C615L		nsp	MYLAR 0.047μF 100V J	nsp	C748	U	nsp	CER. DISC 120pF 50V	nsp
C615R		nsp	MYLAR 0.047μF 100V J	nsp	C748	/02B	nsp	CER. TUBULAR 390pF 50V	nsp
C616		nsp	MYLAR 0.047μF 100V J	nsp	C749		nsp	ELECT. SG 10μF 50V M	nsp
C617		nsp	CER. TUBULAR 2200pF 16V K	nsp	C750		nsp	ELECT. SG 1μF 50V M	nsp
C618		nsp	CER. TUBULAR 0.0033μF 50V	nsp	C751	/02B	nsp	CER. TUBULAR 470pF 50V	nsp
C619		nsp	CER. TUBULAR 2200pF 16V K	nsp	C752		nsp	POLY 680pF 50V J	nsp
C620		nsp	MYLAR 0.0033μF 100V J	nsp	C753L	U	nsp	POLY 390pF 50V J	nsp
C621		nsp	MYLAR 0.0033μF 100V J	nsp	C753R	U	nsp	POLY 390pF 50V J	nsp
C701		nsp	CER. TUBULAR 0.022μF 25V K	nsp					
C702		nsp	CER. TUBULAR 0.022μF 25V K	nsp	C753L	/02B	nsp	POLY 180pF 50V J	nsp
					C753R	/02B	nsp	POLY 180pF 50V J	nsp
C703		nsp	MYLAR 0.047μF 100V J	nsp	C754L	/02B	nsp	CER. TUBULAR 100pF 50V	nsp
C704		nsp	MYLAR 0.047μF 100V J	nsp	C754R	/02B	nsp	CER. TUBULAR 100pF 50V	nsp
C705		nsp	CER. TUBULAR 0.01μF 16V	nsp	C755L		nsp	ELECT. SG 2.2μF 50V M	nsp
C706		nsp	ELECT. SG 47μF 25V M	nsp	C755R		nsp	ELECT. SG 2.2μF 50V M	nsp
C707		nsp	CER. TUBULAR 330pF 50V	nsp	C757	U	nsp	ELECT. SG 2.2μF 50V M	nsp
C708D	/02B	nsp	CER. TUBULAR 82pF 50V	nsp	C757	/02B	nsp	ELECT. SG 0.47μF 50V M	nsp
C709D	/02B	nsp	CER. TUBULAR 330pF 50V	nsp	C758		nsp	MYLAR 0.047μF 100V J	nsp
C710		nsp	ELECT. SG 4.7μF 50V M	nsp	C759		nsp	ELECT. SG 4.7μF 50V M	nsp
C711		nsp	CER. DISC 0.022μF 50V Z	nsp					
C712		nsp	CER. DISC 0.022μF 50V Z	nsp	C760		nsp	CER. TUBULAR 100pF 50V	nsp
					C761		nsp	CER. TUBULAR 100pF 50V	nsp
C713		nsp	POLY 470pF 50V J	nsp					
C714			NOT USED !						
C715		nsp	CER. TUBULAR 0.022μF 25V K	nsp	CF701	U	nsp	X'TAL 10.7MA	*FF100200R
C716		nsp	ELECT. SG 4.7μF 50V M	nsp	CF702	U	nsp	X'TAL 10.7MA	*FF100200R
C717		nsp	CER. TUBULAR 47pF 50V	nsp	CF701	/02B	4822 242 82235	CER. SFE10.7MS3GH-ATF21	*FF100210R
C718		nsp	ELECT. SG 2.2μF 50V M	nsp	CF702	/02B	4822 242 82235	CER. SFE10.7MS3GH-ATF21	*FF100210R
C719		nsp	ELECT. SG 3.3μF 50V M	nsp	CF703		4822 242 82242	CER. BFU450C4N	*FF100190R
C720		nsp	CER. TUBULAR 330pF 50V	nsp	CF704		4822-242 73951	CER. SFZ450B	FF10045200
C722		nsp	MYLAR 0.047μF 100V J	nsp	CF705		4822-242 10735	X'TAL HC49U T.7.2MHz CL12PF	*JX000390R
C723		nsp	ELECT. SG 10μF 50V M	nsp	CF706		4822 242 81117	RESONATOR CSB456F11	FQ04563010
C724		nsp	CER. TUBULAR 0.047μF 50V	nsp					
C725		nsp	CER. DISC 0.01μF 50V Z	nsp	D503		4822 130 30621	1N4148 SWITCHING	QP13030621
C726		nsp	ELECT. SG 1μF 50V M	nsp	D504		4822 130 30621	1N4148 SWITCHING	QP13030621
C727		nsp	CER. TUBULAR 0.022μF 25V K	nsp	D503D		4822 130 30621	1N4148 SWITCHING	QP13030621
C728		nsp	CER. DISC 0.01μF 50V Z	nsp	D504D		4822 130 30621	1N4148 SWITCHING	QP13030621
C729		nsp	ELECT. SG 47μF 25V M	nsp	D603L		4822 130 30621	1N4148 SWITCHING	QP13030621
C730		nsp	CER. DISC 0.01μF 50V Z	nsp	D603R		4822 130 30621	1N4148 SWITCHING	QP13030621
C731		nsp	ELECT. SG 47μF 25V M	nsp	D604L		4822 130 30621	1N4148 SWITCHING	QP13030621
C732		nsp	CER. DISC (CH) 18pF 50V J	nsp	D604R		4822 130 30621	1N4148 SWITCHING	QP13030621
C733		nsp	CER. DISC (CH) 18pF 50V J	nsp	D605L		4822 130 30621	1N4148 SWITCHING	QP13030621
					D605R		4822 130 30621	1N4148 SWITCHING	QP13030621
					D606		4822 130 30621	1N4148 SWITCHING	QP13030621
					D701				
					D705		4822 130 30621	1N4148 SWITCHING	QP13030621
					D706		4822 130 70044	ZENER UZ 5.1V(BSB)	*HD301080R
					D707		4822 130 30621	1N4148 SWITCHING	QP13030621
					VD701		4822 130 81197	KV1236Z VARACTOR	*HD400120R

NOTE : nsp = PART IS LISTED FOR REFERENCE ONLY, MARANTZ WILL NOT SUPPLY THESE PARTS.

(VERS.:VERSION, U:U.S.A, F:JAPAN, K:FAR EAST, **:EUROPE)

POS. NO	VERS. COLOR	PART NO. (PCS)	DESCRIPTION	PART NO. (MJI)	POS. NO	VERS. COLOR	PART NO. (PCS)	DESCRIPTION	PART NO. (MJI)
			INTEGRATED CIRCUITS						
IC701		4822 209 30152	LM7001	*HC101040R	R702		nsp	METAL FILM 180Ω 1/5W J	nsp
IC702		4822 209 71785	LA1266	HC10222030	R703		nsp	METAL FILM 470Ω 1/5W J	nsp
IC703		4822 209 70261	LA3410	HC10198030	R704		nsp	METAL FILM 3.3kΩ 1/5W J	nsp
			COILS		R705		nsp	METAL FILM 330Ω 1/5W J	nsp
L601L		4822 157 71892	INDUCTOR 0.5μH	*LC106490R	R706		nsp	METAL FILM 330Ω 1/5W J	nsp
L601R		4822 157 71892	INDUCTOR 0.5μH	*LC106490R	R707		nsp	METAL FILM 3.3kΩ 1/5W J	nsp
L602		4822 157 71892	INDUCTOR 0.5μH	*LC106490R	R708		nsp	CARBON FILM 5.6kΩ 1/5W J	nsp
L701		4822 146 10772	FM-DET-B K5714X	*TC000260R	R709		nsp	METAL FILM 1.8kΩ 1/5W J	nsp
L702		4822 146 10773	FM-DET-A K5713FKG	*TC000250R	R710		nsp	CARBON FILM 27kΩ 1/5W J	nsp
L703D	/02B	4822 157 71893	INDUCTOR 20.8mH	*LC106500R	R711		nsp	CARBON FILM 100Ω 1/4W J	nsp
L704		4822 157 71881	AM-ANT	*TC000150R	R712		nsp	CARBON FILM 100kΩ 1/5W J	nsp
L705		4822 157 71888	AM-OSC	*TC000160R	R713		nsp	CARBON FILM 100kΩ 1/5W J	nsp
L706		4822 157 71896	AM IFT P-7SB	*TC000200R	R714	U	nsp	CARBON FILM 27kΩ 1/5W J	nsp
L707L		4822 157 11049	FILTER MPX BLK	*TC000270R	R714	/02B	nsp	CARBON FILM 51kΩ 1/5W J	nsp
L707R		4822 157 11049	FILTER MPX BLK	*TC000270R	R715		nsp	METAL FILM 82Ω 1/5W J	nsp
			TRANSISTORS		R716		nsp	CARBON FILM 4.3kΩ 1/5W J	nsp
Q601L		4822 130 42298	KTC1815Y/KTC3198 NPN	HT30001000	R717		nsp	CARBON FILM 68kΩ 1/5W J	nsp
Q601R		4822 130 42298	KTC1815Y/KTC3198 NPN	HT30001000	R718		nsp	CARBON FILM 10kΩ 1/5W J	nsp
Q701		4822 130 62294	KTC1923Y/KTC3194Y NPN	HT318091P0	R719		nsp	CARBON FILM 24kΩ 1/5W J	nsp
Q702		4822 130 63908	2SK168DTZ FET	*HF200180R	R720		nsp	CARBON FILM 10kΩ 1/5W J	nsp
Q703		4822 130 41312	KTC2240/KTC3200 NPN	HT322402A1	R721D	/02B	nsp	CARBON FILM 27kΩ 1/5W J	nsp
Q704		4822 130 62787	KRA107M/DTA114YS	*BA000190R	R722		nsp	CARBON FILM 100kΩ 1/5W J	nsp
Q705		4822 130 62787	KRA107M/DTA114YS	*BA000190R	R723		nsp	METAL FILM 820Ω 1/5W J	nsp
Q706		4822 130 62503	DTC114YS	*BA000210R	R724		nsp	METAL FILM 1.5kΩ 1/5W J	nsp
Q707		4822 130 62787	KRA107M/DTA114YS	*BA000190R	R725		nsp	CARBON FILM 10kΩ 1/5W J	nsp
Q708L		4822 130 63904	KTD1302 NPN	HT413021A0	R726		nsp	METAL FILM 82Ω 1/5W J	nsp
Q708R		4822 130 63904	KTD1302 NPN	HT413021A0	R727		nsp	METAL FILM 330Ω 1/5W J	nsp
Q709		4822 130 62787	KRA107M/DTA114YS	*BA000190R	R729				
Q710		4822 130 62503	DTC114YS	*BA000210R	R730		nsp	METAL FILM 1kΩ 1/5W J	nsp
			RESISTORS		R732				
R546L		nsp	METAL FILM 1kΩ 1/5W J	nsp	R733		nsp	METAL FILM 560Ω 1/5W J	nsp
R546R		nsp	METAL FILM 1kΩ 1/5W J	nsp	R734		nsp	METAL FILM 180Ω 1/5W J	nsp
R547		nsp	METAL FILM 1kΩ 1/5W J	nsp	R735		nsp	METAL FILM 180Ω 1/5W J	nsp
R548		nsp	METAL FILM 1kΩ 1/5W J	nsp	R736	/02B	nsp	CARBON FILM 100kΩ 1/5W J	nsp
R549L		nsp	METAL FILM 1kΩ 1/5W J	nsp	R737	/02B	nsp	CARBON FILM 43kΩ 1/5W J	nsp
R549R		nsp	METAL FILM 1kΩ 1/5W J	nsp	R738		nsp	METAL FILM 270Ω 1/5W J	nsp
R615L		nsp	METAL FILM 1.5kΩ 1/5W J	nsp	R739		nsp	METAL FILM 270Ω 1/5W J	nsp
R615R		nsp	METAL FILM 1.5kΩ 1/5W J	nsp	R740		nsp	METAL FILM 2.7kΩ 1/5W J	nsp
R616L		nsp	CARBON FILM 15kΩ 1/5W J	nsp	R741		nsp	METAL FILM 1kΩ 1/5W J	nsp
R616R		nsp	CARBON FILM 15kΩ 1/5W J	nsp	R742		nsp	CARBON FILM 10kΩ 1/5W J	nsp
▲ R617L		4822 117 12713	CEMENT 0.47Ω 5W K	*GO000003R	R743		nsp	METAL FILM 4.7kΩ 1/5W J	nsp
▲ R617R		4822 117 12713	CEMENT 0.47Ω 5W K	*GO000003R	R744		nsp	CARBON FILM 10kΩ 1/5W J	nsp
R618L		nsp	CARBON FILM 22kΩ 1/5W J	nsp	R745		nsp	METAL FILM 4.7kΩ 1/5W J	nsp
R618R		nsp	CARBON FILM 22kΩ 1/5W J	nsp	R746L	U	nsp	METAL FILM 180kΩ 1/5W J	nsp
R619L		nsp	METAL FILM 22Ω 1/5W J	nsp	R746R	U	nsp	METAL FILM 180kΩ 1/5W J	nsp
R619R		nsp	METAL FILM 22Ω 1/5W J	nsp	R746L	/02B	nsp	METAL FILM 270kΩ 1/5W J	nsp
R620L		nsp	METAL FILM 22Ω 1/5W J	nsp	R746R	/02B	nsp	METAL FILM 270kΩ 1/5W J	nsp
R620R		nsp	METAL FILM 22Ω 1/5W J	nsp	R747L	U	nsp	METAL FILM 150kΩ 1/5W J	nsp
R621L		nsp	METAL FILM 2.2kΩ 1/5W J	nsp	R747R	U	nsp	METAL FILM 150kΩ 1/5W J	nsp
R621R		nsp	METAL FILM 2.2kΩ 1/5W J	nsp	R747L	/02B	nsp	METAL FILM 180kΩ 1/5W J	nsp
R622L		nsp	METAL FILM 22Ω 1/5W J	nsp	R747R	/02B	nsp	METAL FILM 180kΩ 1/5W J	nsp
R622R		nsp	METAL FILM 22Ω 1/5W J	nsp	R748L		nsp	METAL FILM 3.3kΩ 1/5W J	nsp
R623L		nsp	METAL FILM 22Ω 1/5W J	nsp	R748R		nsp	METAL FILM 3.3kΩ 1/5W J	nsp
R623R		nsp	METAL FILM 22Ω 1/5W J	nsp	R749L		nsp	METAL FILM 3.3kΩ 1/5W J	nsp
R624		nsp	METAL FILM 22Ω 1/5W J	nsp	R749R		nsp	METAL FILM 3.3kΩ 1/5W J	nsp
R625		nsp	METAL FILM 22Ω 1/5W J	nsp	R750L		nsp	METAL FILM 3.3kΩ 1/5W J	nsp
▲ R626		4822 053 10109	METAL FILM 10Ω 1W J	GA05100010	R750R		nsp	METAL FILM 3.3kΩ 1/5W J	nsp
R627		nsp	METAL FILM 4.7kΩ 1/5W J	nsp	R751L		nsp	JUMPER	nsp
R628		nsp	METAL FILM 100Ω 1/5W J	nsp	R751R		nsp	JUMPER	nsp
R701		nsp	METAL FILM 560Ω 1/5W J	nsp					

NOTE : nsp = PART IS LISTED FOR REFERENCE ONLY, MARANTZ WILL NOT SUPPLY THESE PARTS.

(VERS. :VERSION, U:U.S.A, F:JAPAN, K:FAR EAST, **:EUROPE)

POS. NO.	VERS. COLOR	PART NO. (PCS)	DESCRIPTION	PART NO. (MJI)	POS. NO.	VERS. COLOR	PART NO. (PCS)	DESCRIPTION	PART NO. (MJI)
VR701		4822 100 12294	SEMI FIXED VARIABLE RESISTORS	*RA000670R	C813		nsp	ELECT. SG 10μF 50V M	nsp
VR702		4822 100 12294	EVM-DJAA03B54	*RA000670R	C814		nsp	ELECT. SG 10μF 50V M	nsp
VR703		4822 101 11757	EVM-DJAA03B25	*RA000710R	C815		nsp	MYLAR 0.047μF 100V J	nsp
					C816		nsp	MYLAR 0.047μF 100V J	nsp
					C817		nsp		
							nsp	CER. TUBULAR 100pF 50V	nsp
TC701		4822 125 60227	MISCELLANEOUS	*CT000080R	C819		nsp		
TC702		4822 125 60228	TRIMMER 20P	*CT000090R	C820		nsp	CER. TUBULAR 0.1μF 50V	nsp
FE701 U			TRIMMER 10P	*FF100200R	C821		nsp	ELECT. SG 10μF 50V M	nsp
FE701 /02B		4822 210 10676	FM TUNER FE407-A15	*AW000080R				DIODES	
53		4822 290 81737	FM TUNER FE407-G60	*YT000800R	D801				
(JACK601)			TERMINAL P40620702P				4822 130 30621	1N4148 SWITCHING	QP13030621
55	/02B	4822 277 11687	SWITCH SLIDE SSP322 G30	*SS000540R	D807				
(SW701)					D808		4822 130 70051	LED SLR54URCF03	*HI100690R
56		4822 267 31993	JACK RCA 2P ORANGE	*YT000850R	D809				
(JACK701)							4822 130 10854	LED SLR34URCF25	*HI100710R
57		4822 267 41252	JACK RCA 6P JK0600460N	*YT001040R	D815				
(JACK702)					D816				
58	/02B	4822 290 81738	TERMINAL SC0210391N	*YT000820R			4822 130 30621	1N4148 SWITCHING	QP13030621
(ANT701)					D823				
59	U	4822 290 81737	TERMINAL P40620702P	*YT000800R				INTEGRATED CIRCUITS	
(ANT701)					IC402		4822 209 73064	NJM2068DD	HC10053090
PCB10			ASSEMBLY P.C.BOARD FRONT		IC801		4822 209 15498	UPD78042AGF-095-3B9	*HU100270R
			CAPACITORS		IC802		4822 209 15015	MC14094BCP	*HC103850R
C405L	nsp		ELECT. SG 10μF 50V M	nsp	IC803		4822 209 15015	MC14094BCP	*HC103850R
C405R	nsp		ELECT. SG 10μF 50V M	nsp	IC804		4822 209 31987	REMOTE SENSOR CRV1G342-1858D	*HW100090R
C406L	nsp		CER. TUBULAR 39pF 50V J	nsp				TRANSISTORS	
C406R	nsp		CER. TUBULAR 39pF 50V J	nsp	Q801		4822 130 42298	KTC1815Y/KTC3198 NPN	HT30001000
C407L	nsp		CER. DISC 18pF 50V J	nsp	Q802				
C407R	nsp		CER. DISC 18pF 50V J	nsp			4822 130 62503	DTC114YS	*BA000210R
C408L	nsp		ELECT. SG 22μF 25V M	nsp	Q809				
C408R	nsp		ELECT. SG 22μF 25V M	nsp	Q810		4822 130 62787	KRA107M/DTA114YS	*BA000190R
C409L	nsp		ELECT. SG 10μF 50V M	nsp	Q811		4822 130 62503	DTC114YS	*BA000210R
C409R	nsp		ELECT. SG 10μF 50V M	nsp	Q812		4822 130 62503	DTC114YS	*BA000210R
C410L	nsp		MYLAR 0.015μF 63V J	nsp				RESISTORS	
C410R	nsp		MYLAR 0.015μF 63V J	nsp	R402L		nsp	METAL FILM 1kΩ 1/5W J	nsp
C411L	nsp		MYLAR 0.082μF 100V J	nsp	R402R		nsp	METAL FILM 1kΩ 1/5W J	nsp
C411R	nsp		MYLAR 0.082μF 100V J	nsp	R403L		nsp	CARBON FILM 91kΩ 1/5W J	nsp
C412L	nsp		MYLAR 0.0018μF 63V J	nsp	R403R		nsp	CARBON FILM 91kΩ 1/5W J	nsp
C412R	nsp		MYLAR 0.0018μF 63V J	nsp	R404L		nsp	CARBON FILM 1MΩ 1/5W J	nsp
C413L	nsp		MYLAR 0.012μF 63V J	nsp	R404R		nsp	CARBON FILM 1MΩ 1/5W J	nsp
C413R	nsp		MYLAR 0.012μF 63V J	nsp	R405L		nsp	CARBON FILM 100kΩ 1/5W J	nsp
C414	nsp		ELECT. SG 47μF 25V M	nsp	R405R		nsp	CARBON FILM 100kΩ 1/5W J	nsp
C415	nsp		ELECT. SG 47μF 25V M	nsp	R406L		nsp	METAL FILM 560Ω 1/5W J	nsp
					R406R		nsp	METAL FILM 560Ω 1/5W J	nsp
C801	nsp		ELECT. SG 10μF 50V M	nsp	R407L		nsp	CARBON FILM 100kΩ 1/5W J	nsp
C802		4822 124 11552	ELECT. SG 0.047 F 5.5V	*EX000020R	R407R		nsp	CARBON FILM 100kΩ 1/5W J	nsp
C803	nsp		ELECT. SG 220μF 10V M	nsp	R408L		nsp	CARBON FILM 22kΩ 1/5W J	nsp
C804					R408R		nsp	CARBON FILM 22kΩ 1/5W J	nsp
					R409L		nsp	CARBON FILM 3.6kΩ 1/5W J	nsp
C807	nsp		CER. TUBULAR 100pF 50V	nsp	R409R		nsp	CARBON FILM 3.6kΩ 1/5W J	nsp
C808	nsp		CER. TUBULAR 0.1μF 50V	nsp	R410L		nsp	METAL FILM 3.3kΩ 1/5W J	nsp
C809	nsp		ELECT. SG 4.7μF 50V M	nsp	R410R		nsp	METAL FILM 3.3kΩ 1/5W J	nsp
C810					R411L		nsp	CARBON FILM 6.2kΩ 1/5W J	nsp
					R411R		nsp	CARBON FILM 6.2kΩ 1/5W J	nsp
C812	nsp		CER. TUBULAR 100pF 50V	nsp					

NOTE : nsp = PART IS LISTED FOR REFERENCE ONLY, MARANTZ WILL NOT SUPPLY THESE PARTS.

(VERS. :VERSION, U:U.S.A, F:JAPAN, K:FAR EAST, **:EUROPE)

POS. NO	VERS. COLOR	PART NO. (PCS)	DESCRIPTION	PART NO. (MJI)	POS. NO	VERS. COLOR	PART NO. (PCS)	DESCRIPTION	PART NO. (MJI)
R412L		nsp	METAL FILM 1kΩ 1/5W J	nsp	PCB12			ASSEMBLY P.C.BOARD	
R412R		nsp	METAL FILM 1kΩ 1/5W J	nsp				POWER SW	
R413L		nsp	METAL FILM 560Ω 1/5W J	nsp				CAPACITORS	
R413R		nsp	METAL FILM 560Ω 1/5W J	nsp	C915		nsp	DE7150-487F 772MVAI-KC	nsp
R414		nsp	METAL FILM 47Ω 1/5W J	nsp				MISCELLANEOUS	
R415		nsp	METAL FILM 47Ω 1/5W J	nsp				SWITCH BSB-8279V	*SP000680R
R801		nsp	CARBON FILM 47kΩ 1/5W J	nsp	20		4822 276 13807		
R802		nsp	CARBON FILM 47kΩ 1/5W J	nsp	(SW901)				
R804		nsp	CARBON FILM 100kΩ 1/5W J	nsp	PCB13			ASSEMBLY P.C.BOARD	
R806		nsp	CARBON FILM 47kΩ 1/5W J	nsp				SUPPLY	
R807		nsp	CARBON FILM 47kΩ 1/5W J	nsp				CAPACITORS	
R808		nsp	CARBON FILM 10kΩ 1/5W J	nsp	C901		nsp	DE7150-487F 772MVAI-KC	nsp
R809		nsp	METAL FILM 3.7kΩ 1/5W J	nsp	C902	U	nsp	CER. TUBULAR 0.047μF 50V	nsp
R810		nsp	CARBON FILM 10kΩ 1/5W J	nsp	C903	U	nsp	CER. TUBULAR 0.047μF 50V	nsp
R811		nsp	METAL FILM 4.7kΩ 1/5W J	nsp	▲ C904		4822 124 21814	ELECT. SG 1000μF 16V M	EA10801610
R812		nsp	METAL FILM 1kΩ 1/5W J	nsp	C905		nsp	ELECT. SG 100μF 10V M	nsp
R813		nsp	METAL FILM 1kΩ 1/5W J	nsp	C906		nsp	ELECT. SG 100μF 50V M	nsp
R814		nsp	CARBON FILM 47kΩ 1/5W J	nsp	C907		nsp	MYLAR 0.047μF 100V J	nsp
R815		nsp	METAL FILM 4.7kΩ 1/5W J	nsp	I				
R816		nsp	METAL FILM 4.7kΩ 1/5W J	nsp	C911		nsp		
R817		nsp	METAL FILM 2.7kΩ 1/5W J	nsp	▲ C912		4822 124 23283	ELECT. SG 3300μF 35V M	EA33803510
R818		nsp	CARBON FILM 47kΩ 1/5W J	nsp	▲ C913		4822 124 21829	ELECT. SG 2200μF 35V M	EA22803510
R819		nsp	METAL FILM 390Ω 1/5W J	nsp	C914		nsp	CER. TUBULAR 0.1μF 50V	nsp
R820		nsp	CARBON FILM 47kΩ 1/5W J	nsp				DIODES	
R821		nsp	METAL FILM 4.7kΩ 1/5W J	nsp	▲ D901				
R822		nsp	CARBON FILM 10kΩ 1/5W J	nsp	I		5322 130 30684	1N4002 RECTIFIER	QP13030684
R823		nsp	CARBON FILM 10kΩ 1/5W J	nsp	▲ D904				
R824		nsp	CARBON FILM 47kΩ 1/5W J	nsp	D905		4822 130 70044	ZENER UZ 5.1V(BSB)	*HD301080R
R825		nsp	METAL FILM 4.7kΩ 1/5W J	nsp	D906		4822 130 70044	ZENER UZ 5.1V(BSB)	*HD301080R
R826		nsp	METAL FILM 390Ω 1/5W J	nsp	▲ D907		5322 130 30684	1N4002 RECTIFIER	QP13030684
R827		nsp	METAL FILM 1kΩ 1/5W J	nsp	▲ D908		5322 130 30684	1N4002 RECTIFIER	QP13030684
R830		nsp	METAL FILM 1kΩ 1/5W J	nsp	D909		4822 130 10879	ZENER UZ 7.5V(BSB)	*HD301330R
R831		nsp	METAL FILM 390Ω 1/5W J	nsp	D910		4822 130 10881	ZENER UZ 11V(BSC)	*HD301310R
R837		nsp	METAL FILM 390Ω 1/5W J	nsp	D911		4822 130 10881	ZENER UZ 11V(BSC)	*HD301310R
R838		nsp	METAL FILM 1kΩ 1/5W J	nsp	▲ D912				
R840		nsp	METAL FILM 1kΩ 1/5W J	nsp	I		4822 130 33765	1N5402 RECTIFIER	QP13033765
R841		nsp	CARBON FILM 220kΩ 1/5W J	nsp	▲ D915				
R842		nsp	CARBON FILM 100kΩ 1/5W J	nsp	D916		4822 130 70044	ZENER UZ 5.1V(BSB)	*HD301080R
R847		nsp	CARBON FILM 10kΩ 1/5W J	nsp	D917		4822 130 10882	ZENER UZ 8.2V(BSB)	*HD301320R
R848		nsp	CARBON FILM 10kΩ 1/5W J	nsp				FUSES	
R849		nsp	CARBON FILM 10kΩ 1/5W J	nsp	▲ F901	U	nsp	SB 4A 125V	*FS000330R
R851		nsp	METAL FILM 4.7kΩ 1/5W J	nsp	▲ F901	/02B	4822 252 11228	T 4A 250V	*FS000370R
					▲ F902	U	nsp	SB 4A 125V	*FS000330R
					▲ F902	/02B	4822 252 11228	T 4A 250V	*FS000370R
					▲ F903	U	nsp	SB 6A 125V	*FS000260R
					▲ F903	/02B	4822 252 11229	T 6.3A 250V	*FS000380R
					▲ F904	U	nsp	SB 315mA 125V	*FS000340R
					▲ F904	/02B	4822 252 11231	T 315mA 250V	*FS000350R
					▲ F905	U	nsp	JUMPER	
					▲ F905	/02B	4822 252 11232	T 2.5A 250V	*FS000360R
15		4822 101 11754	VOLUME RK16K128000114C RMD41	*RM000240R				INTEGRATED CIRCUIT	
(VR401/402)								KA7806 REGULATOR	*HC300120R
17		4822 101 11755	VOLUME RK16K128000114H RMM44	*RM000250R	IC901		4822 209 91031		
(VR403)								TRANSISTOR	
FL801		4822 135 00111	FL DISPLAY FIP10AM9R	*HQ300210R				KTC1815Y/KTC3198 NPN	HT30001000
CF801		4822 242 73769	RESONATOR CST4.19MGW-TF01	*FQ000110R	Q901		4822 130 42298		
14		4822 276 13661	SWITCH SKHV10910D01 KB581	*SP000610R					
PCB11			ASSEMBLY P.C.BOARD						
			SLEEP SW						
			MISCELLANEOUS						
14		4822 276 13661	SWITCH SKHV10910D01 KB581	*SP000610R					

NOTE : nsp = PART IS LISTED FOR REFERENCE ONLY, MARANTZ WILL NOT SUPPLY THESE PARTS.

(VERS.:VERSION, U:U.S.A, F:JAPAN, K:FAR EAST, **:EUROPE)

POS. NO	VERS. COLOR	PART NO. (PCS)	DESCRIPTION	PART NO. (MJI)
RESISTORS				
▲ R901		4822 053 10109	METAL FILM 10Ω 1W J	GA05100010
R902		nsp	CARBON FILM 2kΩ 1/5W J	nsp
R903		nsp	METAL FILM 330Ω 1/5W J	nsp
R904		nsp	CARBON FILM 15kΩ 1/5W J	nsp
R905		nsp	CARBON FILM 6.8kΩ 1/5W J	nsp
R906		nsp	METAL FILM 220Ω 1/5W J	nsp
R907		nsp	METAL FILM 2.2kΩ 1/5W J	nsp
R908	U	nsp	ERC-12UGK335	RC05471010
MISCELLANEOUS				
▲ RLY901		4822 280 10329	RELAY HR-CR313	*LY000150R
▲ TRANS901	U	nsp	SY-BY TRANS	*TS000640R
▲ TRANS901	/02B	4822 146 10775	SY-BY TRANS	*TS000630R
▲ 51 (PLUG901)	U	nsp	AC OUTLET	*YT000910R
▲ 52 (PLUG901)	/02B	4822 267 31994	AC OUTLET YKE31-0090	*YT000920R
PCB14			ASSEMBLY P.C.BOARD VOLTAGE SELECTOR MISCELLANEOUS	
▲ F906	/02B	4822 252 11228	T 4A 250V	*FS000370R
▲ 49 (VOL902)	/02B	4822 273 10322	SWITCH SDJL4SBK P011 (RAS-2201)	*SS000520R
▲ 50 (VOL901)	/02B	4822 273 10321	SWITCH SDJL2SBK P011 (RAS-1201)	*SS000530R

*Secondary
400 ohm
winding*

*390 - 400
resistor*

NOTE : nsp = PART IS LISTED FOR REFERENCE ONLY, MARANTZ WILL NOT SUPPLY THESE PARTS.